

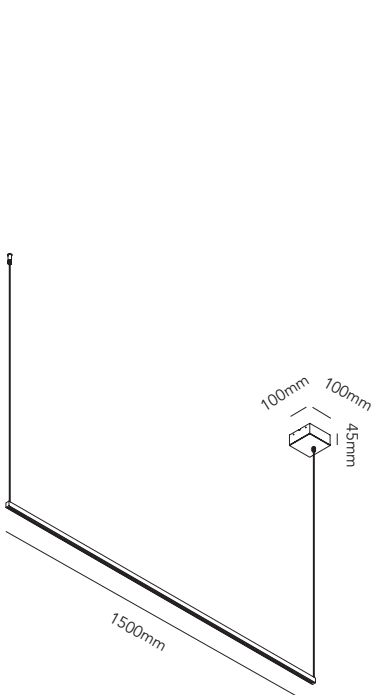


## STRIPE

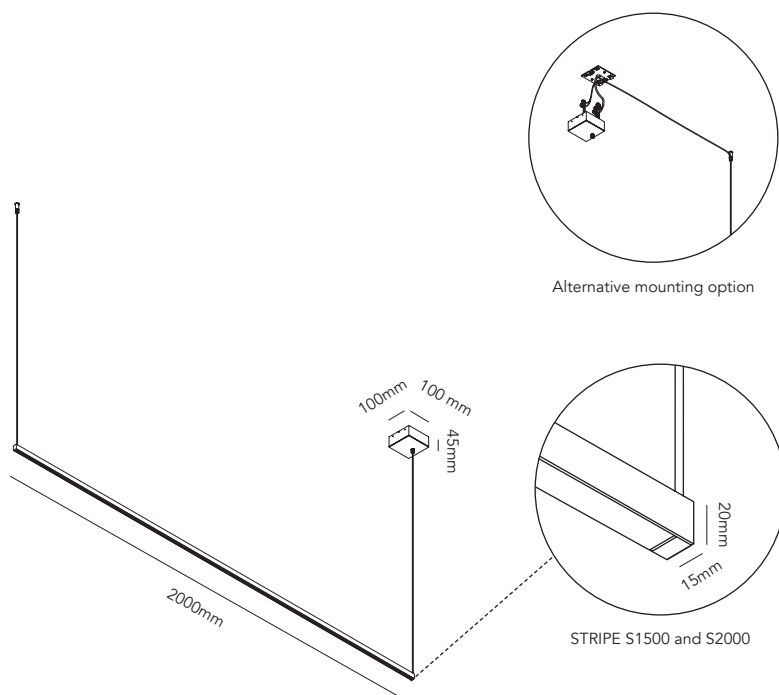
Design: Ronni Gol



Pendant height up to 4 m.



STRIPE S1500



STRIPE S2000

# STRIPE - 2700 K

Design: Ronni Gol

LIGHT·POINT  
C O P E N H A G E N

ART. NAME	STRIPE S1500	STRIPE S2000	-
Art. no. white	270360	270370	-
Art. no. black	270361	270371	-
EAN white	5711389703615	5711389703714	-
EAN black	5711389703608	5711389703707	-
Material	Aluminium / Acrylic	Aluminium / Acrylic	-
Light source	Edison	Edison	-
Lifetime	50.000	50.000	-
Number of light sources	1	1	-
Electronical gear / white	LNTC40W901LRP	LNTC40W1000LRP	-
Electronical gear / black	LNTC40W900LRP	LNTC40W1001LRP	-
Driver watt	N/A	N/A	-
Light source watt	30	36	-
System watt	-	-	-
Voltage	230V	230V	-
Dimmable	Leading/trailing Edge	Leading/trailing Edge	-
Lumen output	2430	2970	-
Lumen pr. watt	110	110	-
Flux	N/A	N/A	-
CCT (K)	2700	2700	-
RA/CRI	>90	>90	-
Mac Adam	6	6	-
Light distribution	N/A	N/A	-
Beam angle	90	90	-
Tilt angle	N/A	N/A	-
Cutout mm.	N/A	N/A	-
Rotation	N/A	N/A	-
Looping	No	No	-

Updated 16th of March 2021