



INSTALLATION GUIDE ———>

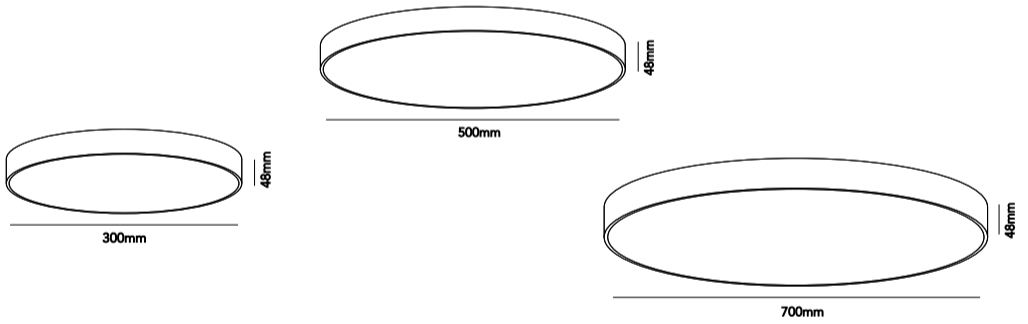
LIGHT-POINT

WE BELIEVE IN CREATING LIGHT

At LIGHT-POINT we have one goal - to improve the everyday **life** of people all over the world. Our lamps are designed to provide inspiration, and to solve everyday needs, be it lighting your home **interior**, your office or public spaces. Our **design** is not driven by current trends, since we believe that a classic, minimalistic design with the right function will last for generations and bring **character** into any **environment**.

SURFACE

Design: LP Design Team



FOUNDER ———>

Ronni Gol had a decisive influence on how we experience the world around us and interact with one another. We are fortunate enough to live in a world, where we as consumers can choose to switch between night and day according to our whims. In short, we can construct the exact life suiting our individuality, because we are not dependent on daylight to be able to function, and can for instance choose to work at night and sleep during the day. This places great demands on how we approach future light solutions, and the possibilities for innovation when developing a lighting product.

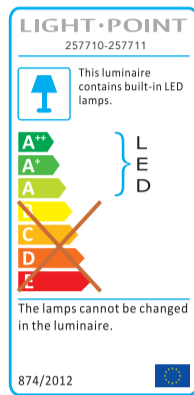
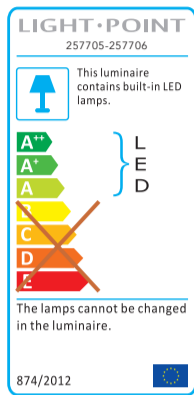
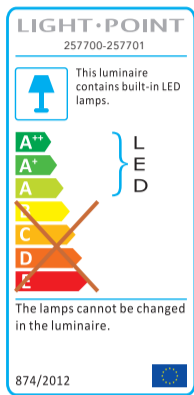


SURFACE

Art. name	Surface 300	Surface 500	Surface 700
Art no. white	257700	257705	257710
Art no. black	257701	257706	257711
EAN white	5711389577001	5711389577056	5711389577063
EAN black	5711389577018	5711389577063	5711389577117
RAL white	9003	9003	9003
RAL black	9005	9005	9005
Material	Aluminium/Acrylic	Aluminium/Acrylic	Aluminium/Acrylic



ENERGY LABEL



DIMMING



Art. name	Surface 300	Surface 500	Surface 700
Light source	Edison	Edison	Edison
Lifetime	50.000	50.000	50.000
Number of light	1	1	1
Electronic gear	N/A	N/A	N/A
Driver watt	N/A	N/A	N/A
Light source watt	24	32	56
System watt	24	32	56
Voltage	220-240	220-240	220-240
Dimmable	Yes	Yes	Yes
Lumen output	2040	3400	4760
Lumen pr. watt	85	85	85
Flux	N/A	N/A	N/A
CCT (K)	3000	3000	3000
RA/CRI	≥ 90	≥ 90	≥ 90
Mac Adam	3	3	3
Light Distribution	N/A	N/A	N/A
Beaming angle	N/A	N/A	N/A
Tilt angle	N/A	N/A	N/A
Cut out mm.	N/A	N/A	N/A
Rotation	N/A	N/A	N/A
Looping	Yes	Yes	Yes

INSTALLATION GUIDE



INSTALLATION INSTRUCTION

- Before installing, make sure the power supply is switched off.
- Follow the steps as the figure for installation or replacement of bulb Step.
 - after holing, pull out the wires.
 - fix the mounting bracket onto the wall with screws.
 - connect the wires to the terminal block.
 - slide the fixture to the mounting bracket
- After finishing every step, tighten the screws, have the fixture fixed, and then connect the power supply.

CLEANING INSTRUCTION

- Before cleaning, ensure that the power supply is switched off.
- Use only a soft cloth to clean the lamp, dampened with mild cleanser if needed for resistant dirt.
- Warning: do not use alcohol or other solvents.

CAUTION:

In case of any doubt, please contact the qualified electrician.

MOUNTING

