

# LIGHT·POINT

## INSTRUCTION MANUAL

### DELI 1

260880 – 260881 - 260882

INPUT: 220-240V ~ 50/60Hz CLASS I

LAMP-HOUSE: LED-2x2W

MATERIAL: ALUMINIUM

IP54



### INSTALLATION INSTRUCTION

1. Before installing, make sure the power supply is switched off.
2. Follow the steps as the figure for installation.

Step:A.Fix the box to the hole.

B. connect the wires to the terminal block.

C. screw the base to the body.

D. install the fixture to the box.

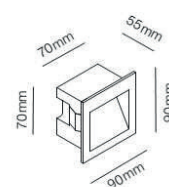
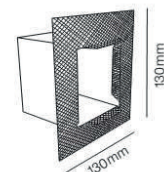
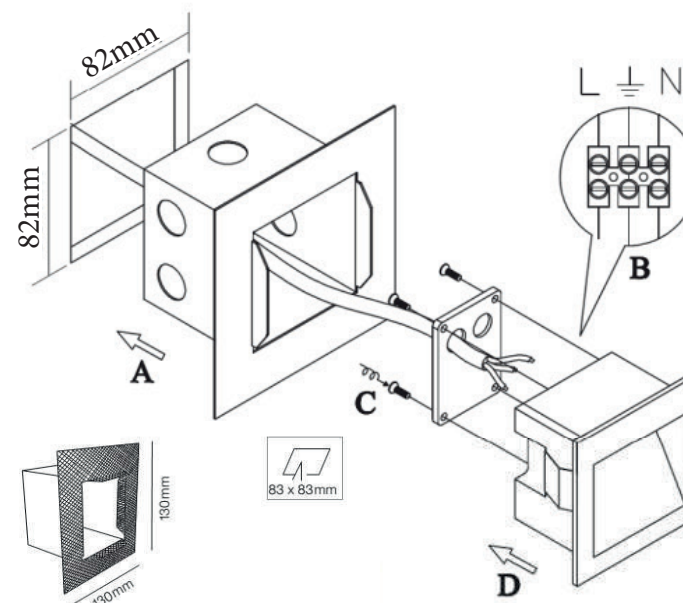
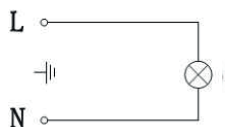
3. After finishing every step, have the fixture fixed, and then connect the power supply.

### CLEANING INSTRUCTION

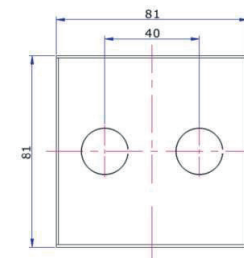
1. Before cleaning, ensure that the power supply is switched off.
2. Use only a soft cloth to clean the lamp, dampened with mild cleanser if needed for resistant dirt.
3. Warning: do not use alcohol or other solvents!

### CAUTION:

In case of any doubt, please contact the qualified electrician.



DELI 1



NOTE: THIS PRODUCT MUST BE INSTALLED ACCORDING TO LOCAL LAWS AND REGULATIONS!

[www.light-point.eu](http://www.light-point.eu)