

Description

Square, directional surface mounted armature for mounting on universal 3-phase lamp rails, fitted with one COB LED module and built-in LED driver.

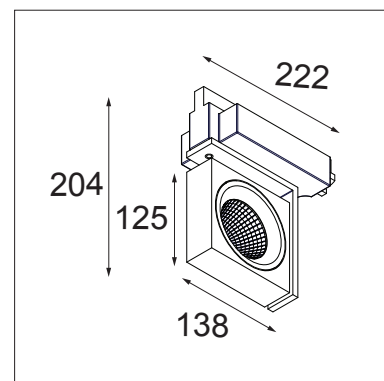
The unit consists of three main components: a directional lamp, an L-shaped bracket for mounting the lamp and a 3-phase adapter (with built-in driver), suitable for connection to a universal 3-phase power rail.

Materials

- Aluminium lamp housing and L-shaped bracket
- Finishing: scratch resistant fine textured powder coating in matt white or matt black

Technical characteristics

- Dimensions: 125 mm x 40 mm (W x H)
- Integrated COB LED Module with bionic heat sink
- Lamp: 1x High Power LED 37 W
- Integrated LED driver (non-dimmable, non phase-cut dimmable)
- Weight: 1.57 kg
- IP20
- Category 1 device
- Supply voltage: 230V AC
- CRI: 90+
- Binning: 3SDCM
- Colour temperature: 2700 K, 3000 K or 4000 K (3500 K available on request)
- Reflectors: spot (15°), medium (25°), flood (40°)
- UGR: 18
- Lumen output: 2125 lm - 2411 lm



Standards and directives:

- 2006/95/EC - Low Voltage Directive
- 2011/65/EU - RoHS Directive
- 2009/125/EC - ECODesign Directive
- 2004/108/EC - EMC Directive
- EN 60598-1:2008 +A11:2009 - Luminaires. General requirements and tests
- EN 61547:2009 - EMC Immunity Requirements
- EN 62471:2008 - Photobiological safety of LED lamps and lamp systems
- EN 62493: 2010 - Assessment of lighting equipment related to human exposure to electromagnetic fields
- EN 60598-2-1 - Fixed general purpose luminaires
- EN 55015:2006 +A1:2007 +A2:2009 - Limits and methods of measurement of radio disturbance characteristics of electrical lighting and similar equipment
- EN 61000-3-2:2006 +A1,A2:2009 - Limits for harmonic current emissions (equipment input current ≤ 16 A per phase)
- EN 61000-3-3:2013 - Limitation of voltage changes, voltage fluctuations and flicker in public low-voltage supply systems, for equipment with rated current ≤ 16 A per phase and not subject to conditional connection
- EN 50581:2012 - Technical documentation for the assessment of electrical and electronic products with respect to the restriction of hazardous substances