

Tatu

André Ricard. 1972
Table Lamps


SANTA & COLE



Tatu, Spanish for armadillo, is a friendly mammal with a shell on its back that protects it when it rolls up into a ball. The idea for Tatu was born on a transoceanic flight; while Ricard was reading about Argentinean wildlife, he observed that the light above his seat did not disturb his sleeping wife who was sitting next to him. The lamp became a pop-art icon in Europe. Tatu takes us back to carefree days, when consumer goods came to the European middle classes and their children started a massive aesthetic revolution; from Andy Warhol to The Beatles to Mary Quant. Everything could be expressed differently.

After nearly 50 years, Santa & Cole reedited this classic with improved lighting features. This flexible lamp consists of three parts that can rotate independently to adapt its use for a shelf, desk, or bedside table; it could even be used as a wall light (fittings included). Santa & Cole's edition of the original Tatu is enhanced by applying LED technology. This makes the light intensity easily adjustable, and the light source considerably less hot and longer lasting. It also features a moveable converging lens that allows the user to adjust the focal length.

General description:

Gyratory structure manufactured in red or S&C white ABS plastic.

Applications: table or wall lamp.

Adjustable focal length from 30° to 50°.

Adjustable light intensity 0% to 100%.

Dimmer and switch incorporated into the luminaire.

Electric cable length: 2 m / 78.7".

Approximate weight (unpacked):

2 Kg / 4.4 lb

Technical information:

Light source included (dimmable).

LED module

Rated input wattage: 6 W

Operating current: 350 mA

Colour Temp.: 2.700 K

CRI: 90

Lifetime: 40.000 h

Luminous flux: 171 lm

Built-in dimmable LED.

Dimmer included.

Energy efficiency class (E.E.C): A++... A.

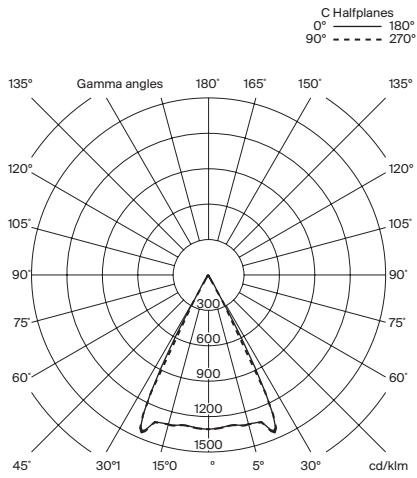
Lamp suitable only for indoor use.

Always use this light source.

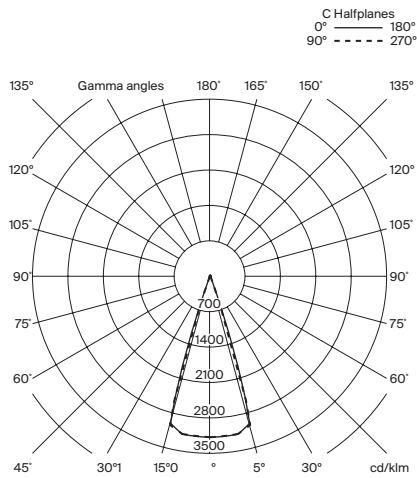
Input voltage: 100 ~ 230 Vac.

(50 Hz / 60 Hz). According to destination.

Beam 30°



Beam 50°



Regulations:

CE
 UNE-EN 60598
 UNE-EN 55015
 UNE-EN 60529
 UNE-EN 61000-3-2

UL

Dry location only
 UL-153
 E363621

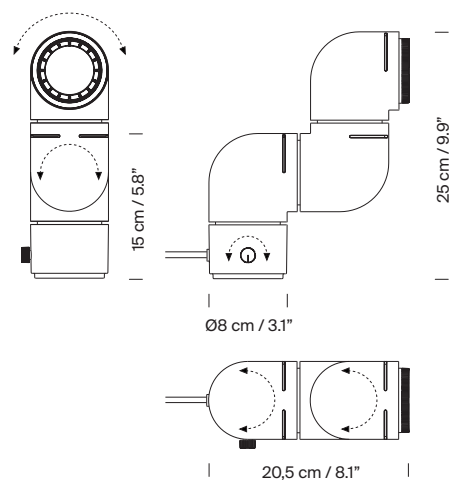
Maintenance:

Clean with a smooth cloth. Do not use ammonia, solvents or abrasive cleaning products.

Others:

The lamp is delivered in one package.
 The assembly instructions are delivered with the product.

Model:



Tatu

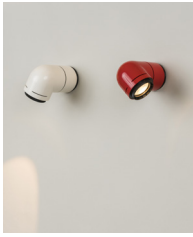
André Ricard. 1972
Table Lamps

Collection:
Table lamps



Tatu

Wall lamps



Petit Tatu