

Description

Non-directional cylindrical luminaire with COB LED technology and integrated electronic LED driver. Suitable for wall application. Available in 2 different designs: only downlight or combination up and down. The luminaire consists of 4 main mechanical components: the cylindrical body, a square wall connection box, protection glass and a wall bracket. Intended for outdoor use. The combination of the 12mm thick safety glass with a double O-ring seal, guarantees IP55 protection rating.

Materials

- Aluminium body, pre-treated for outdoor use and finished with scratch resistant fine-textured powder coating in matt white, matt black or aluminium.
- Aluminium rectangular connection box pre-treated for outdoor use and finished with scratch resistant fine-textured powder coating in matt white, matt black or aluminium.
- Aluminium reflector front cone, finished with powder coating matt black.
- High-gloss aluminium reflector, flood beam (40°)
- Protection glass: Tempered clear safety glass, 12mm thickness
- Wallplate: stainless steel 1.5mm
- Heatsink: aluminium, black anodized
- Ledholder white polycarbonate
- Sealing O-rings: EPDM

Technical characteristics

- Dimensions:
 - 1x LED: $\varnothing 79$ mm, 185mm high
 - 2x LED: $\varnothing 79$ mm, 235mm high
- COB high power LED included
- Colour temperature: 3000K
- CRI90+
- 3 SDCM
- High gloss reflector 40° beam angle
- Non-dimmable electronic leddriver included
- Luminaire output: 321lm per LED
- Luminaire efficiency: 56%
- Power consumption: 8W for 1x LED, 13W for 2x LED (total power, driver included)
- Warranty period: 5 years on LED lamps
- Lifetime L80B20 @50.000 hours
- Power: 220-230V, 50-60Hz
- Class 1
- Use: outdoor, IP55
- Glowwire rating: 960°C

Installation

- Mounted on a wall bracket by tilting the luminaire on the bracket. The luminaire is fixed on the bracket with a M4 allen screw (hexagonal key included).
- The wall bracket is mounted on the wall with 2 universal chipboard screws of max. $\varnothing 4$ mm (not included). Slotted hole for connection to the mains centrally in the backplate (25mm long, 15mm wide).
- Connection to the mains by included IP68 waterproof heat shrinkable connectors, suitable for stranded and solid wires up to 2.5mm².

Accessories

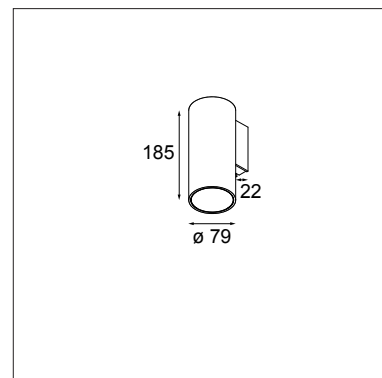
- none

Standards and directives:

- Standards and directives:
 - 2006/95/EC - Low Voltage Directive
 - 2004/108/EC - EMC Directive
 - 2011/65/EU - RoHS Directive
 - 2009/125/EC - ECO design Directive
 - 245/2009/EC + 347/2010/EU - ECO design Directive
 - 1194/2012/EU - ECOdesign Regulation
 - EN 60598-1:2008 +A11:2009 - Luminaires. General requirements and tests
 - EN 62471:2008 - Photobiological safety of LED lamps and lamp systems
 - EN 62493: 2010 - Assessment of lighting equipment related to human exposure to electromagnetic fields
 - EN 60598-2-1 - Fixed general purpose luminaires
 - EN 55015:2006 +A1:2007 +A2:2009 - Limits and methods of measurement of radio disturbance characteristics of electrical lighting and similar equipment
 - EN 61000-3-2:2006 +A1,A2:2009 - Limits for harmonic current emissions (equipment input current ≤ 16 A per phase)
 - EN 61000-3-3:2013 - Limitation of voltage changes, voltage fluctuations and flicker in public low-voltage supply systems, for equipment with rated current ≤ 16 A per phase and not subject to conditional connection
 - EN 61547:2009 - EMC Immunity Requirements
 - EN 50581:2012 - Technical documentation for the assessment of electrical and electronic products with respect to the restriction of hazardous substances



NUDE WALL 1X



NUDE WALL 2X

