

Lámina

Antoni Arola. 2018
Pendant lamps



Lámina 45



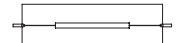
A

Sistema Lámina 45



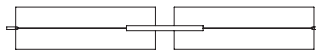
B

Lámina 85



C

Sistema Lámina 85



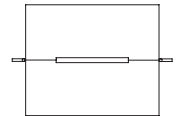
D

Lámina 165



E

Lámina Mayor



F



A line of light and a thin sheet, softly but effectively light. Striking a balance between poetry and reason, Lámina is a system that defends the benefits of reflected light with simple, obvious forms, in a range of formats and shades that hide nothing and show everything.

General description:

Black metal structure with matte finish.
S&C white metallic shade with brilliant finish (exterior).
Polycarbonate diffuser.
Electric cable length: 3 m / 118,1"

Approximate weight (unpacked):

(A) Lámina 45: 2,8 Kg / 6.2 lb
(B) Sistema Lámina 45: 4 Kg / 8.8 lb
(C) Lámina 85: 3,7 Kg / 8.2 lb
(D) Sistema Lámina 85: 5,9 Kg / 13 lb
(E) Lámina 165: 3,8 Kg / 8.4 lb
(F) Lámina Mayor: 12,3 Kg / 27.1 lb

Technical information:

Light source included (dimmable).

(A) LED strip
Rated input wattage: 18 W
Operating voltage: 18VDC
Luminous flux: 711 lm

(B) LED strip
Rated input wattage: 31 W
Operating voltage: 36VDC
Luminous flux: 1.422 lm

(C) LED strip
Rated input wattage: 31 W
Operating voltage: 36VDC
Luminous flux: 1.394 lm

(D) LED strip
Rated input wattage: 54 W
Operating voltage: 36VDC
Luminous flux: 2.788 lm

(E) LED strip
Rated input wattage: 54 W
Operating voltage: 36VDC
Luminous flux: 1.977 lm

(F) LED strip
Rated input wattage: 44 W
Operating voltage: 36VDC
Luminous flux: 1.977 lm

Colour Temp.: 2.700K
CRI: 90
Lifetime: 40.000 h

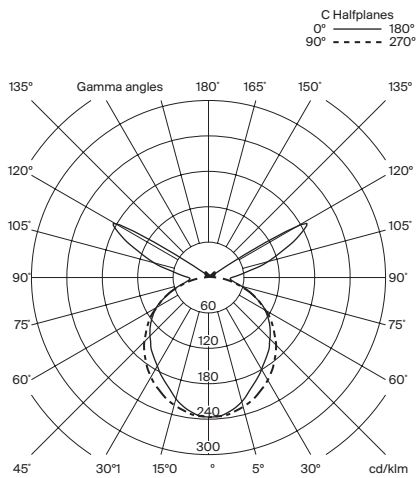
Built-in LED.
Suitable for dimming 0-10V. (Not included external dimmer switch 0-10V).
Energy efficiency class (E.E.C): A+... A.
Suitable only for indoor use.
Always use this light source.

Input voltage: 100 ~ 277 Vac.
(50 Hz / 60 Hz). According to destination.

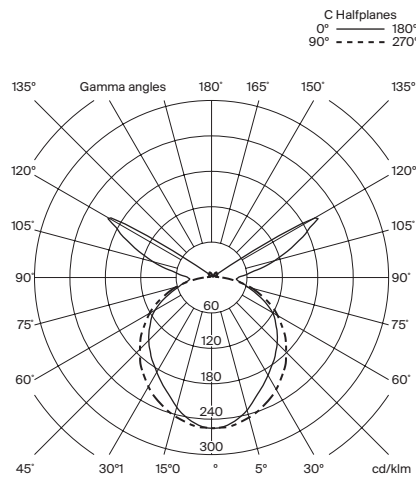
Lámina

Antoni Arola. 2018
Pendant lamps

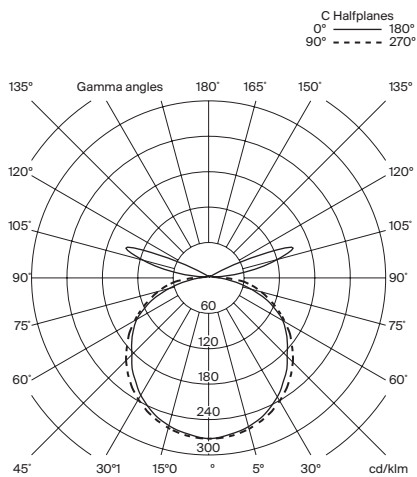
Modelo A: Lámina 45



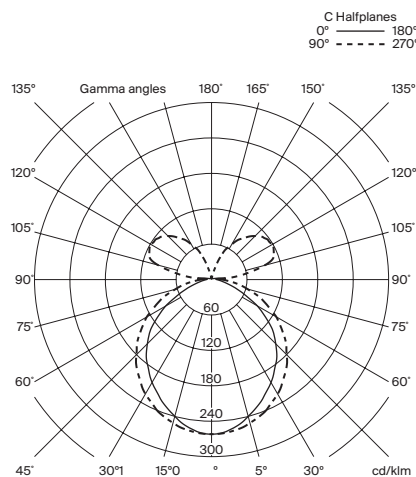
Modelo C: Lámina 85



Modelo E: Lámina 165



Modelo F: Lámina Mayor



Regulations:

CE
UNE-EN 60598
UNE-EN 55015
UNE-EN 60529

UL

UL-1598
UL-8750
E-336377
Dry location only

Maintenance:

Clean with a smooth cloth. Do not use ammonia, solvents or abrasive cleaning products.

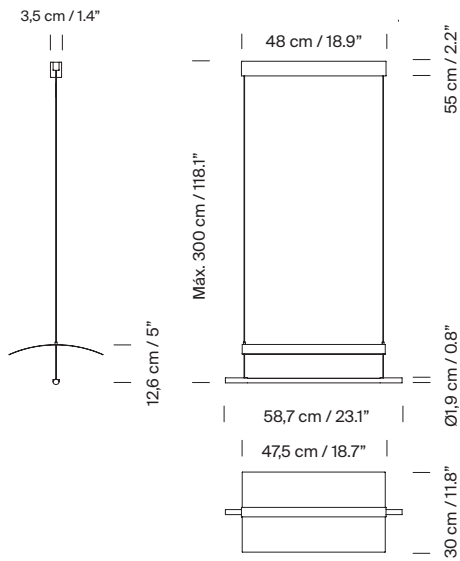
Others:

The lamp is delivered in different packages.
The assembly instructions are delivered with the product.

Lámina

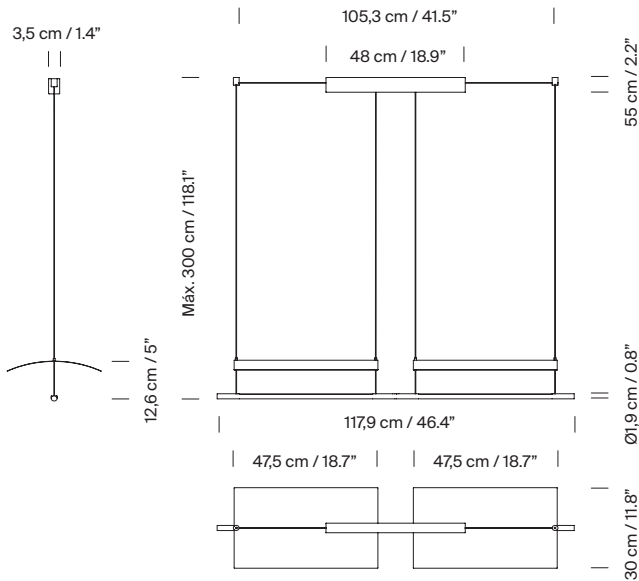
Antoni Arola. 2018
Pendant lamps

Model A: Lámina 45

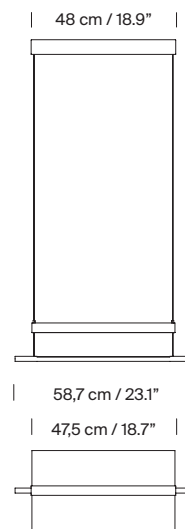


Model B: Sistema Lámina 45

2 modules (A)

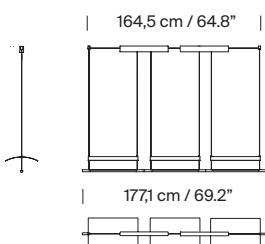


1 module (B)

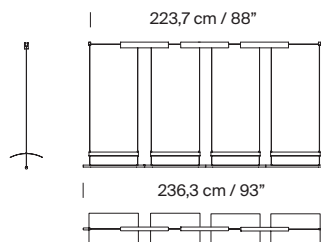


Examples of composition

3 modules (A + B)



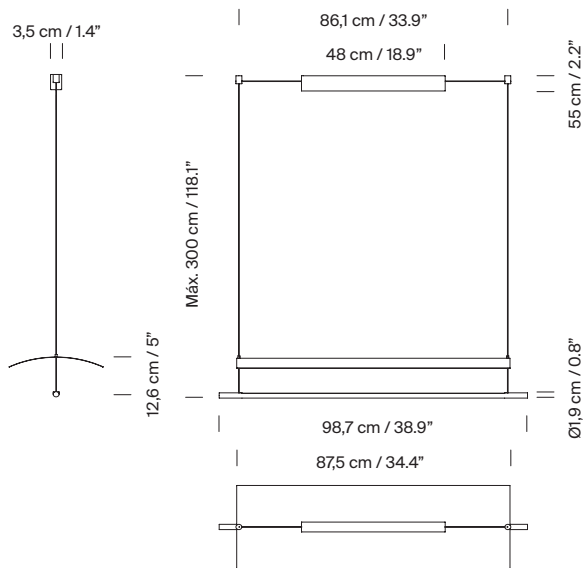
4 modules (A + 2B)



Lámina

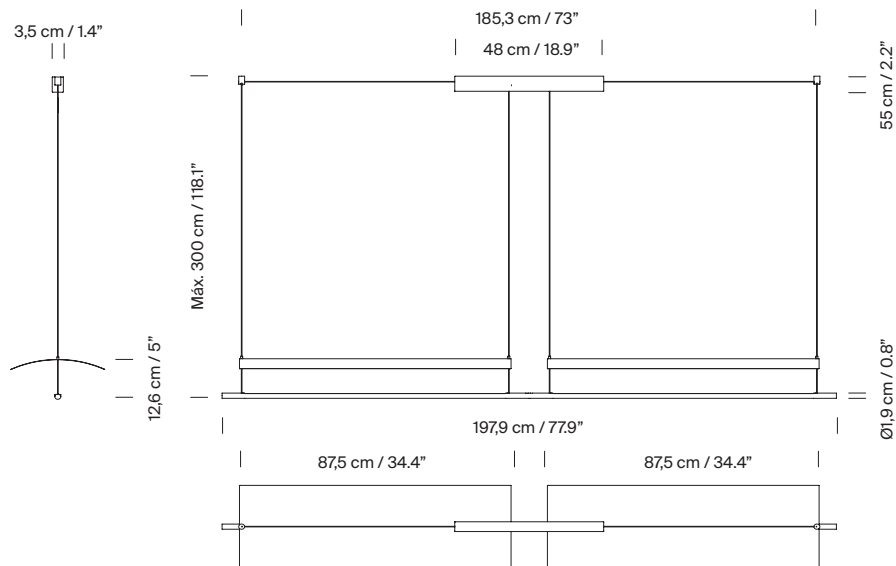
Antoni Arola. 2018
Pendant lamps

Model C: Lámina 85

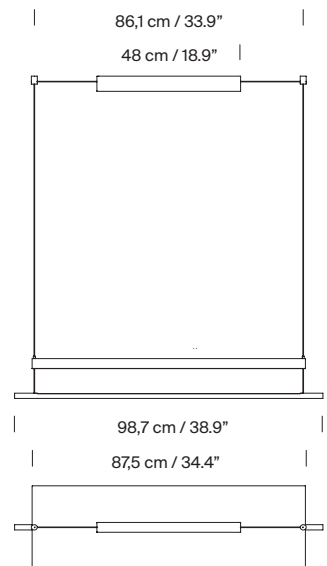


Model D: Sistema Lámina 85.

2 modules (A)

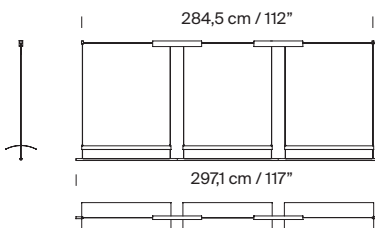


1 module (B)

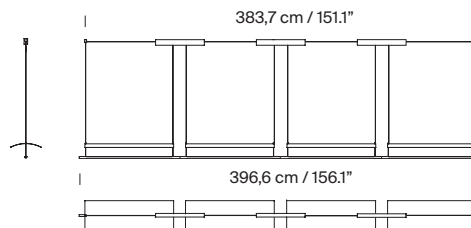


Examples of composition

3 modules (A + B)



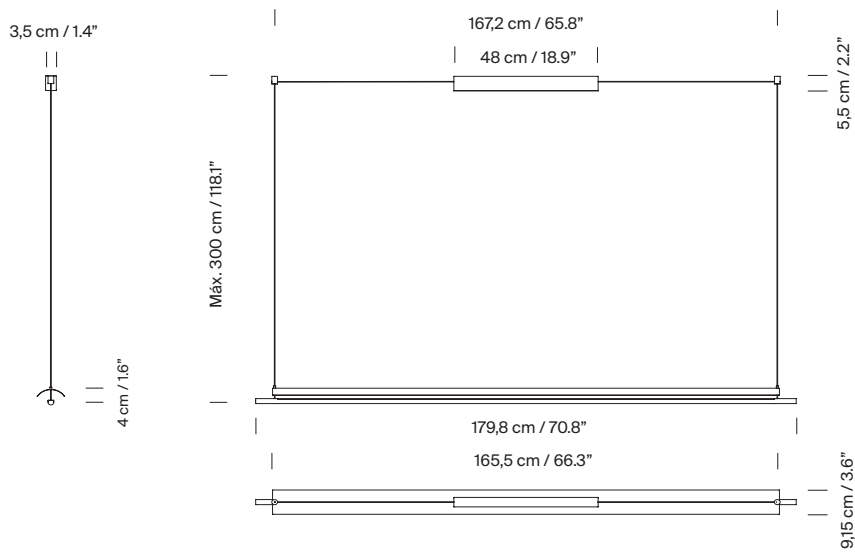
4 modules (A + 2B)



Lámina

Antoni Arola. 2018
Pendant lamps

Model E: Lámina 165



Model F: Lámina Mayor

