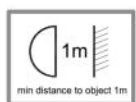
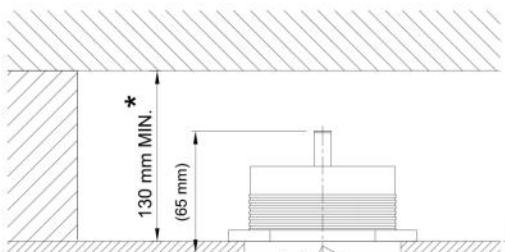


• ALL LOW VOLTAGE PRODUCTS REQUIRE THE USE OF A SUITABLE RATED TRANSFORMER



SWITCH OFF  
ABSCHALLEN  
DISINSERIRE  
COUPER LE CONTACT

**1**

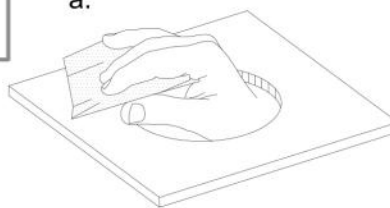


Ø83  
Ø83 mm cut out \*

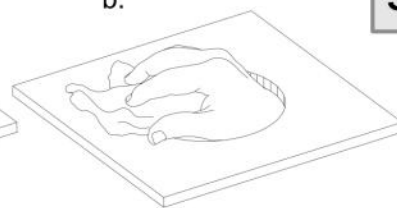


\*IMPORTANT

a.



b.



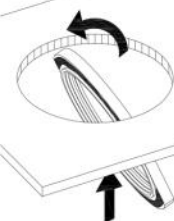
**3**



Polymeer

**4**

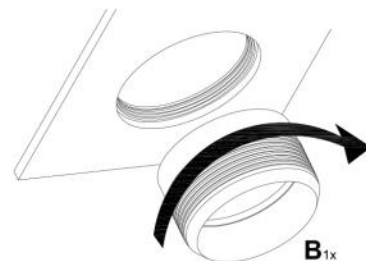
a.



b.



**5**



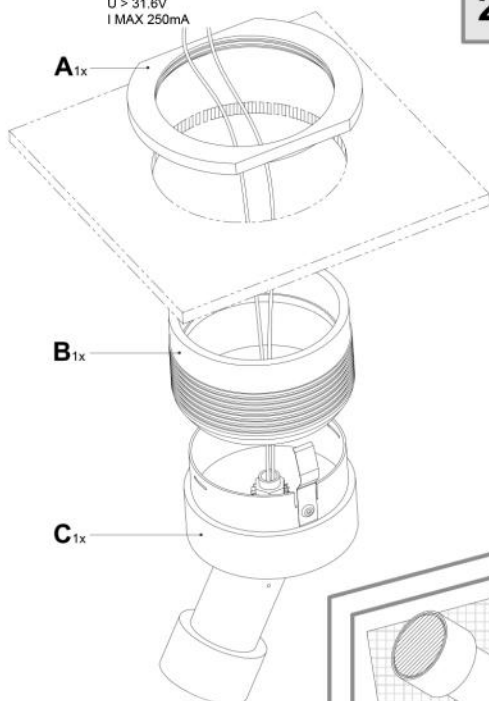
B1x

**6**

**2**

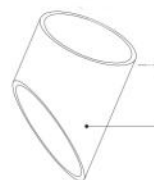
External Driver  
U > 31.6V  
I MAX 250mA

A1x



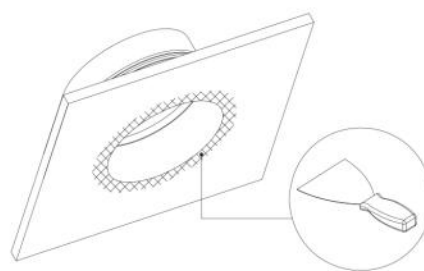
B1x

C1x



OPTION E1x  
507.03.xxx

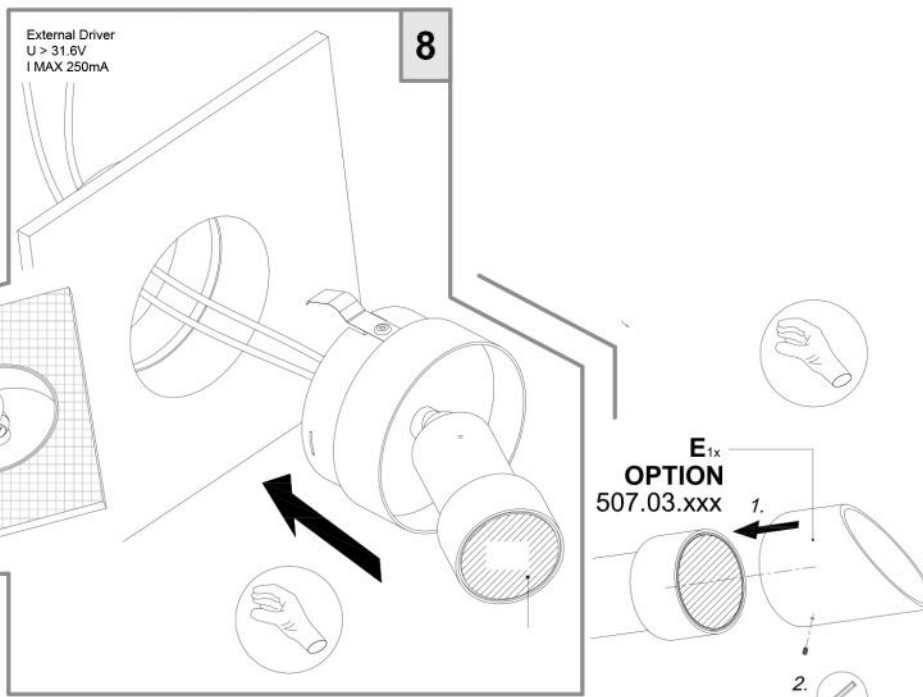
**7**



2h

**8**

External Driver  
U > 31.6V  
I MAX 250mA



OPTION E1x  
507.03.xxx

1.

2.