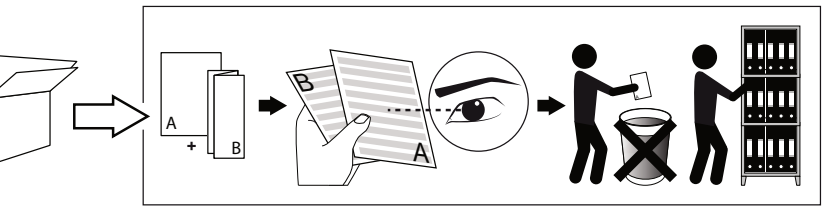


XY180 F120 WDL

DEEL
PARTIE
TEIL
PART
PARTE
PARTE **A**

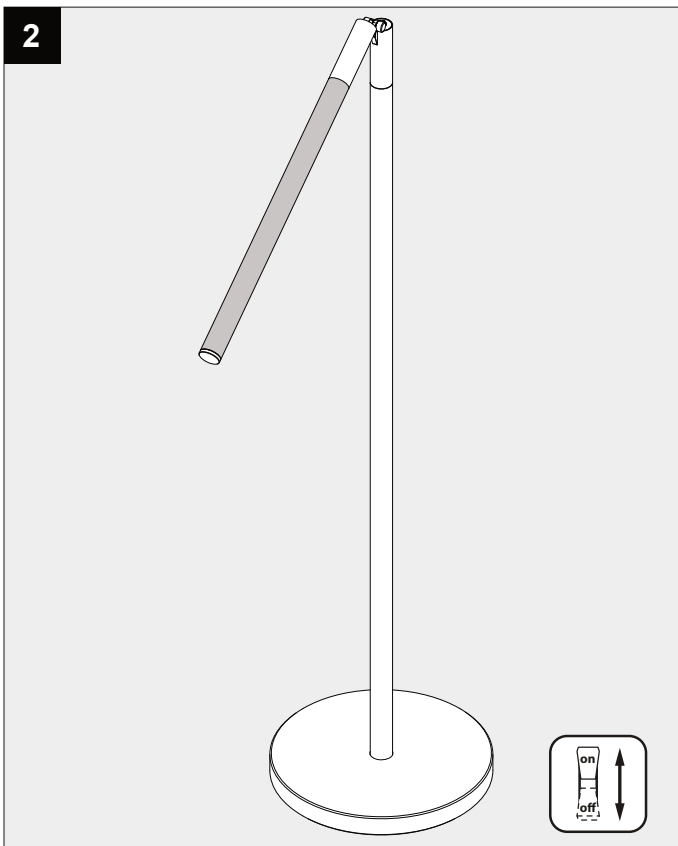
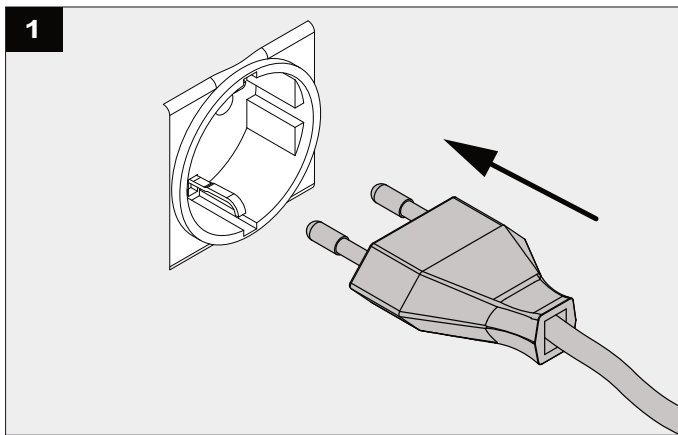


CTRL DELTA WIRELESS CONTROLABLE
(Use CASAMBI app to pair modulator)
www.deltalight.com/CTRLDELTA

WIRELESS DIMMABLE	
U	110-240V
P	8,5W

IP20
Beschermd tegen vaste voorwerpen die groter zijn dan 12 mm
Protégé contre les objets solides de plus de 12 mm
Geschützt gegen Festkörper größer als 12 mm
Protected against solid objects greater than 12 mm
Protegido contra objetos sólidos superiores a 12 mm
Protetto contro oggetti solidi più grandi di 12 mm

Goederen zijn dubbel geïsoleerd - geen aarding nodig
Les produits ont une isolation double et ne peuvent pas être mis à la terre
Güter sind doppelt isoliert und müssen nicht geerdet werden
Goods have double insulation and must not be grounded
Los productos tienen u aislamiento doble y no se pueden conectar a tierra
I prodotti possiedono un doppio isolamento e non devono essere collegati a terra



E
This product contains a light source of energy efficiency class E
本产品包含能效等级为 E 的光源
Этот артикул содержит источник света с энергоэффективностью класса E
يحتوي هذا المنتج على مصدر ضوء ذو كفاءة الطاقة E
Dit product bevat een verlichtingsbron van energie-efficiëntieklasse E
Ce produit contient une source d'éclairage de classe d'efficacité énergétique E
Dieses Produkt enthält eine Lichtquelle der Energieeffizienzklasse E
Este producto contiene una fuente de iluminación de clase de eficiencia energética E
Questo prodotto contiene una fonte di illuminazione in classe di efficienza energetica E

Replaceable (LED only) light source and control gear by a professional
(仅针对LED)光源及其控制设备只能由专业人员更换
(для СВЕТОДИОДНЫХ светильников) замена источника света и блока питания может быть произведена только квалифицированным специалистом
مصدر الضوء (إيد فقط) ومعدات التحكم قابلين للتغيير بإشراف الفني المتخصص
Verlichtingsbron (enkel LED) en voorschakelapparaat kan enkel vervangen worden door een professional
La source d'éclairage (uniquement LED) et le ballast ne peut être remplacé que par un professionnel
Die Lichtquelle (nur LED) und Vorschaltgerät kann nur von einem Fachmann ausgetauscht werden
La fuente de iluminación (solo LED) solo puede ser reemplazada por un profesional
La sorgente luminosa (LED) e l'alimentatore possono essere sostituiti solo da un professionista.

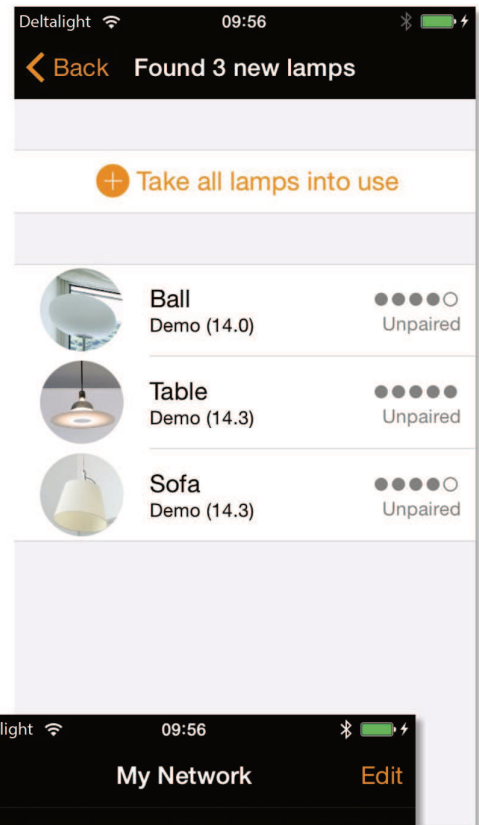
Casambi App Short User Guide



First time use

Casambi app is easy to use. Follow these simple steps.

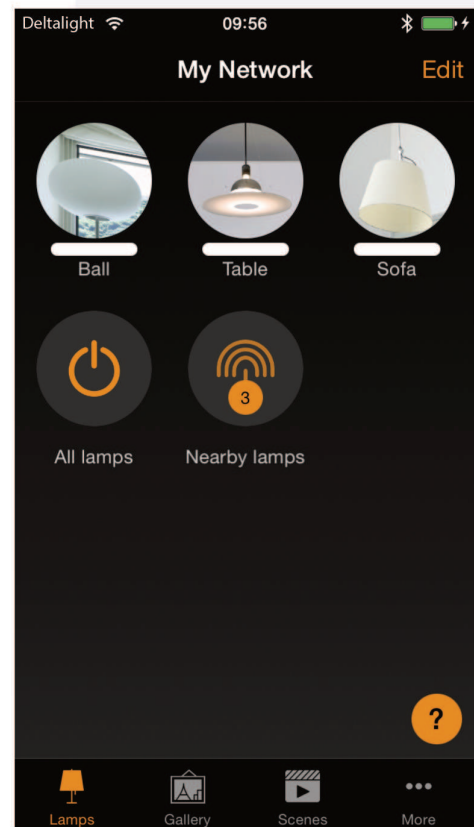
1. Download the app from Apple App Store or Google Play Store.
2. Turn on your Casambi enabled luminaires.
3. Open the app.
4. Casambi app will automatically find all Casambi enabled luminaires that are switched on.
5. Tap on the 'Take all lamps into use'
6. Casambi app will automatically add all luminaires to one network and open the 'Lamps' tab



Basic gestures

Here are the basic gestures how to control your lights.

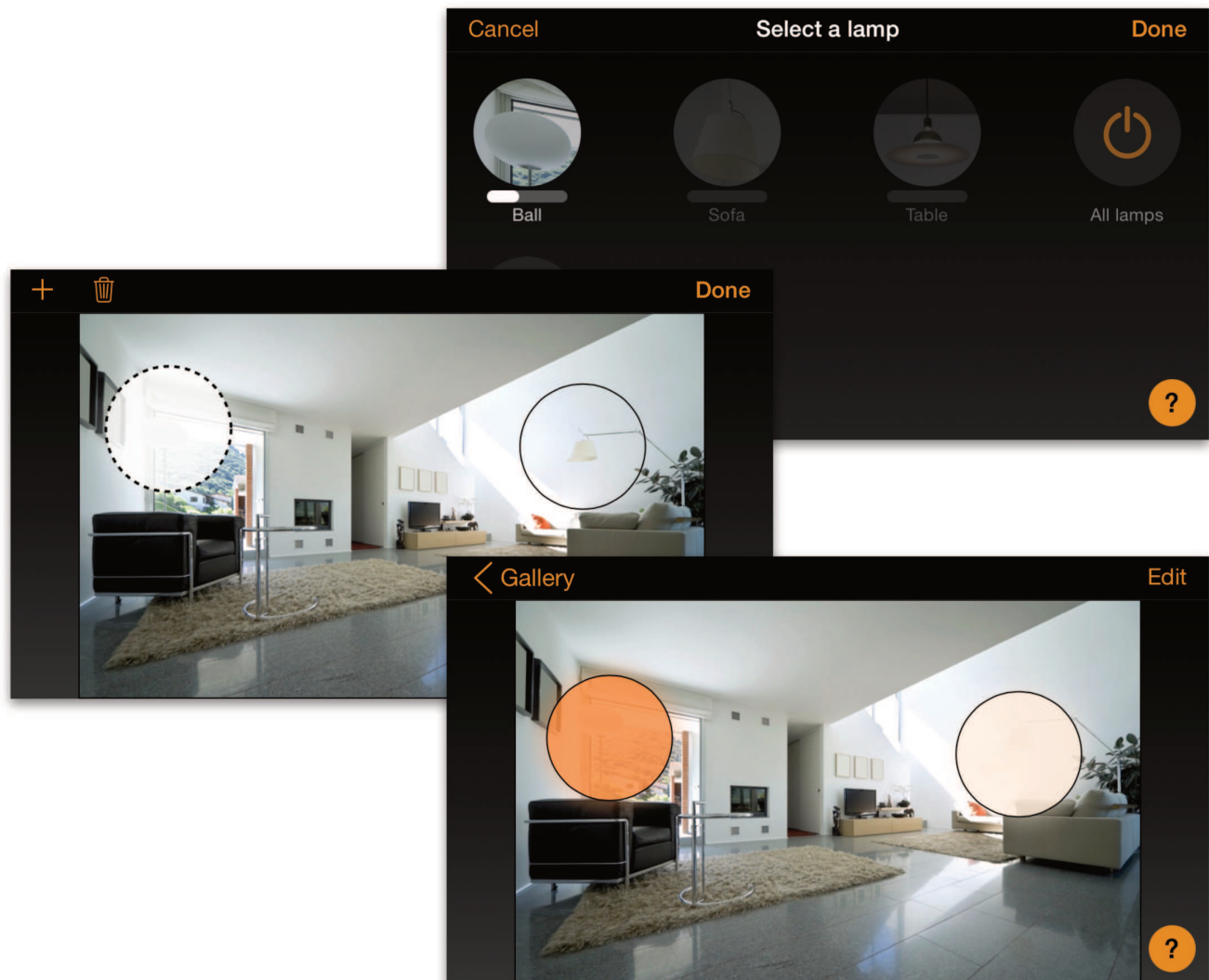
- To turn off or on your luminaire just tap on the lamp control.
- Pan lamp control left or right to adjust light level of the luminaire.
- Pan lamp control up or down to adjust the colour temperature of the luminaire.
- Hold on top of the lamp control to change the colour and save colours to palette.



Gallery

The Gallery in Casambi app is the most natural way of controlling your luminaires. Take a picture of the room where your luminaires are, and place lamp controls over them in the picture. You can also take a panorama picture to have more luminaires in one photo.

1. Add a photo of your room to Casambi Gallery by tapping 'Edit' and after that the '+' sign.
2. After you have added a photo you can add lamp controls to the picture. Tap on the '+' sign, select a lamp control that you want to add to the picture and tap 'Done'.
3. After you have added controls over all the luminaires in the picture tap 'Done'.
4. Now you can control your luminaires visually from the picture. No need to guess which luminaire is which.



Scenes and animations

In the 'Scenes' tab you can create different lightings for different occasions. It is possible to control multiple luminaires with one tap to create perfect ambience. One luminaire can be used in several scenes.

1. Tap on 'Add a scene' and enter a name for the scene. Select the 'Add a scene' option
2. Select one or multiple lamp controls and adjust the luminaires for the scene. You can adjust the luminaires separately or if you want to have same dim level or colour for all you can use the 'Lamps in scene' control to adjust all luminaires in the scene.
3. When you are done editing the scene tap on 'Done'.
4. If you would like to create more scenes tap on the 'Edit' on top right corner and then tap on the '+' sign.

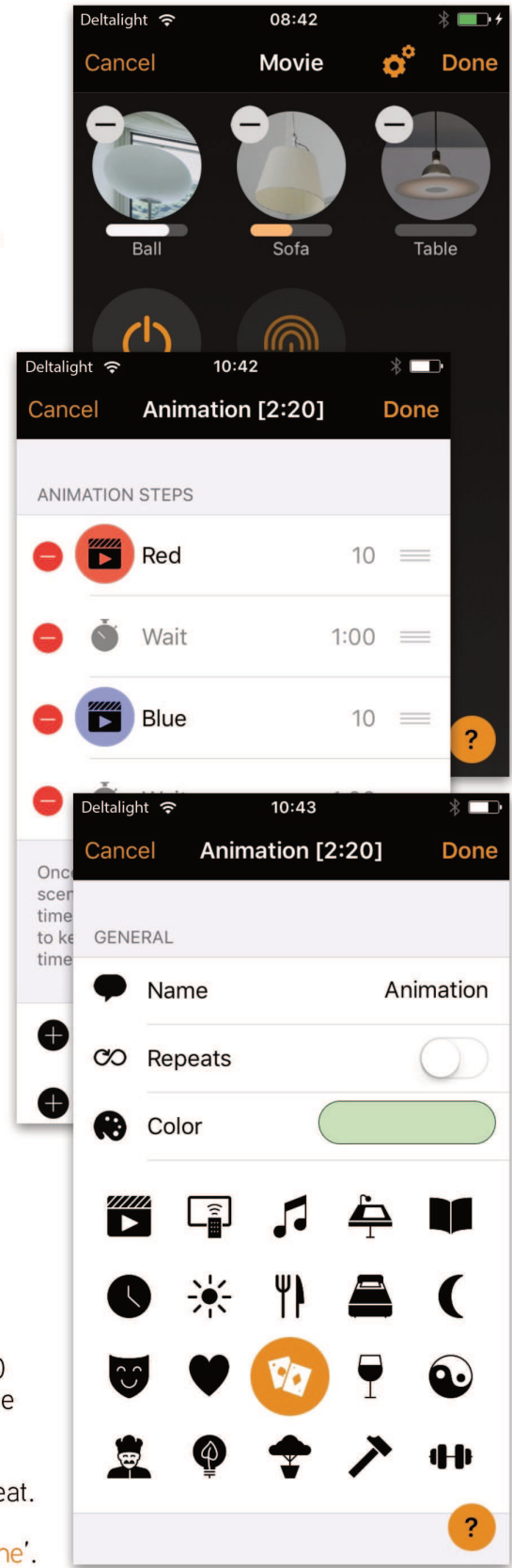
In the 'Scenes' tab it is also possible to create animations. Animations or dynamic scenes are special scene type that fade from scene to scene. They can be used like ordinary scenes. Animations can also repeat.

1. Tap on the 'Edit' on top right corner and then tap on the '+' sign.
2. Tap on the 'Add an animation' option
3. Add animation steps. You can add scenes and wait times to animation. Example:

- Add Scene Red, fade time 10 sec
- Add wait 1 min
- Add Scene Blue, fade time 10 sec

This animation setting will fade in to scene Red in 10 seconds and Red will be active for 1 minute. Then the scene Red will fade into scene Blue in 10 seconds.

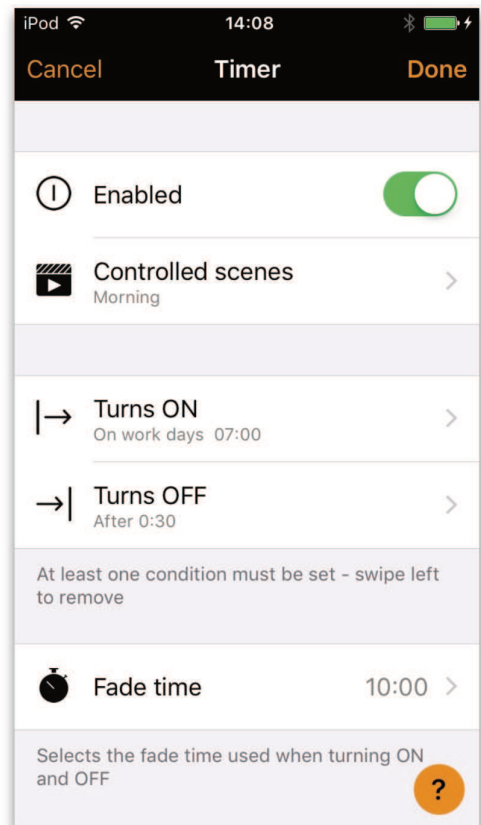
4. In General settings you can set the animation to repeat.
5. When you are done editing the animation tap on 'Done'.



Timer

With schedule/timer function you can create a list of timers that will turn scenes or animations on and off based on time.

1. Go to More tab and select Schedule. Create a new timer by tapping the 'Add a timer'
2. Tap on the 'Controlled scenes' and select a scene or animation that this timer will control
3. Tap on the 'Turns ON' button to set the time when the scene should turn on and tap on the 'Turns OFF' button to set the time when the scene should turn off.
4. It is also possible to set a fade time for the timer so that the scene will come on smoothly.
5. When you are done editing the timer tap on 'Done'.



Networks and Sharing

If you want to control your luminaires from more than one mobile device you need to change the network sharing settings. As a default the created network is not shared and only stored in the device that created it.

1. Go to 'More' tab and select 'Network setup' and 'Sharing settings'.
2. Tap on the Sharing and the 'Sharing mode' screen will open.
3. There are four different sharing modes: Not Shared, Administrator only, Password protected and Open. When you select Administrator only, Password protected or Open mode the network will be uploaded to cloud server and then it can be accessed also from other mobile devices.
4. Add also email address and password for the network.
5. Confirm your settings with 'Save'.

