

## TECHNICAL SHEET

### 1708-30 WALL

Mounting: Applique / Wall lamp

Environment: Indoor - IP20

Materials: Metallo / Metal

Voltage: 230V 50/60Hz

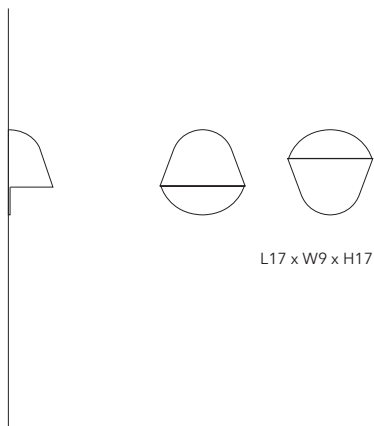
Source: 10W - 3000 K

Lumen: 469lm

Dimming: Dimmable phase cut



1708-30



## Finiture / Finishes

---

### Struttura / Structure



Nero opaco  
Matt black



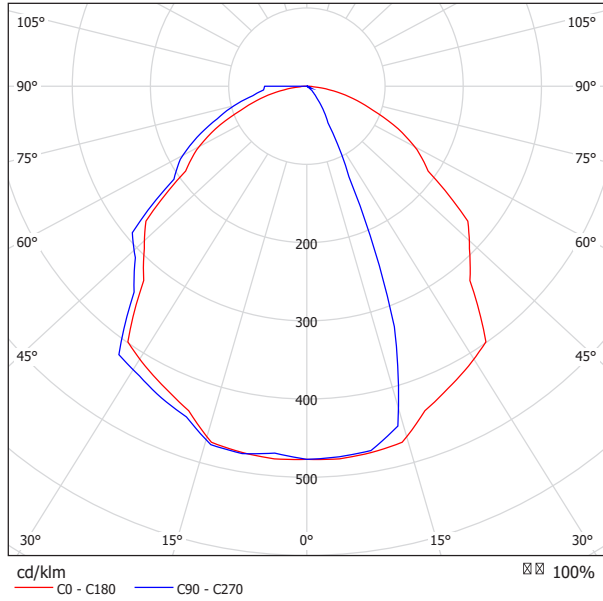
Oro opaco  
Matt gold



Bianco opaco  
Matt white

## Fotometrie / Photometric Data

---



Enoki

### NOTE

Versione 2700K disponibile previa verifica tecnica  
2700K version available after technical verification

## CODES

CODICI / CODES	MISURA / SIZE	STRUTTURA / STRUCTURE	DIFFUSORE / SHADE	DETTAGLI / DETAILS
1708-30-0600-DXNE	wall lamp	oro opaco / matt gold		dimnable phase cut
1708-30-1100-DXNE	wall lamp	nero opaco / matt black		dimnable phase cut
1708-30-0100-DXNE	wall lamp	bianco opaco / matt white		dimnable phase cut