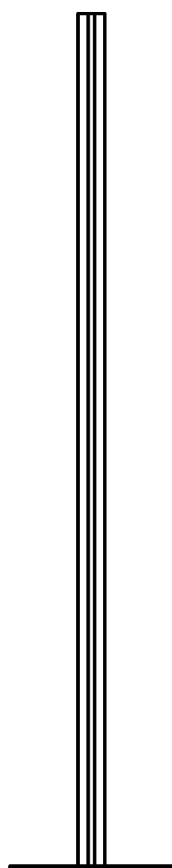


# COORDINATES F

Designed by Michael Anastassiades, 2020

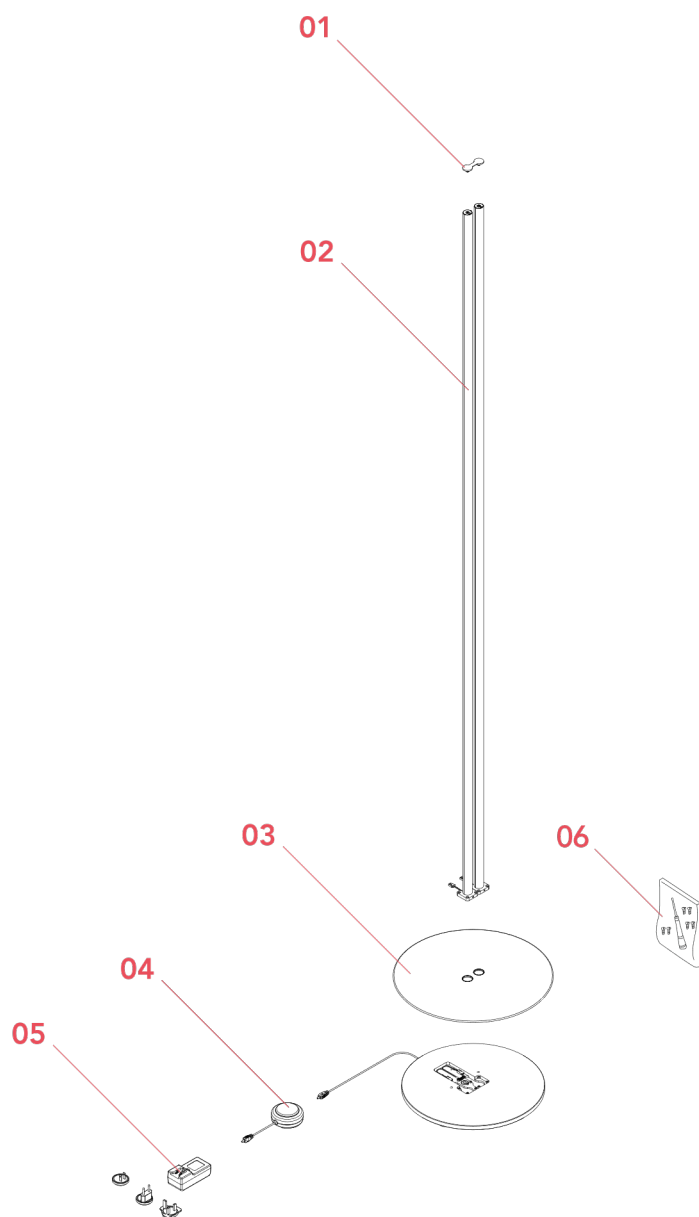
F1801044



## COORDINATES F

F1801044

EN



- 01. RF29550 – Fixing bridge assembly
- 02. RF1800044 – Body and block assembly
- 03. RF31891 – Base upper cover
- 04. RF27549 – Switch dimmer 48V PWM 500 Hz
- 05. RF3320400 – Black plug kit & Driver
- 06. RF29554 – Key and screws assembly

COORDINATES F F1801044

EN

## RF29550

FIXING KIT ASSEMBLY



WARNING! When installing and whenever acting on the appliance, ensure that the power supply has been switched off.  
For the installation of the spare-part, it is necessary to consult a qualified electrician.

COORDINATES F F1801044

EN

**RF29550**

FIXING KIT ASSEMBLY

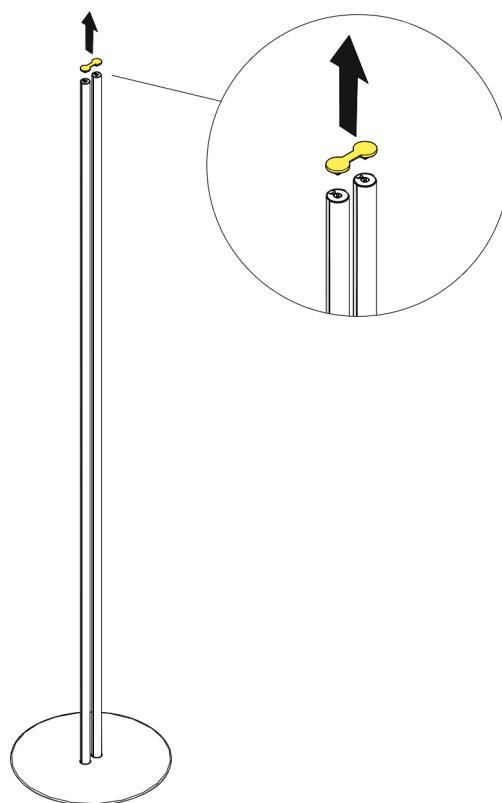


Fig.1

Remove the fixing kit assembly from the body.

Now assemble the new spare part.

WARNING! When installing and whenever acting on the appliance, ensure that the power supply has been switched off.  
For the installation of the spare-part, it is necessary to consult a qualified electrician.

COORDINATES F F1801044

EN

## RF1800044

BODY AND BLOCK ASSEMBLY



WARNING! When installing and whenever acting on the appliance, ensure that the power supply has been switched off.  
For the installation of the spare-part, it is necessary to consult a qualified electrician.

COORDINATES F F1801044

EN

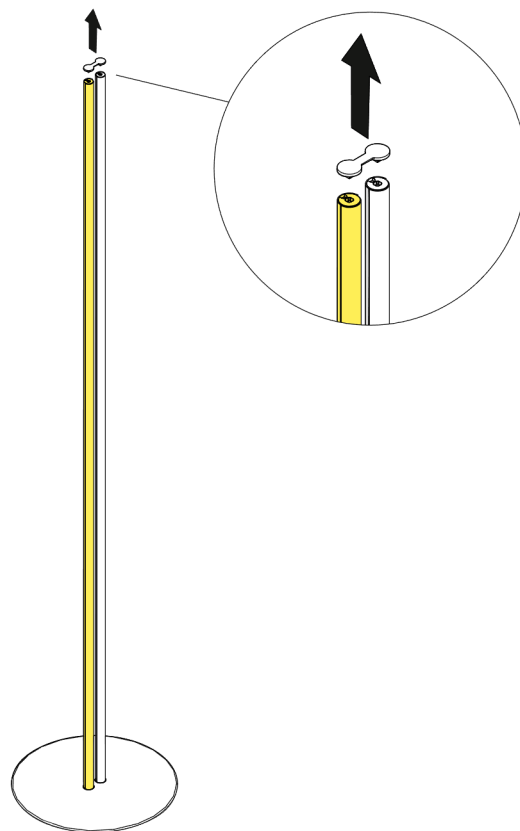
**RF1800044**  
BODY AND BLOCK ASSEMBLY

Fig.1

Remove the fixing kit assembly from the body.

WARNING! When installing and whenever acting on the appliance, ensure that the power supply has been switched off.  
For the installation of the spare-part, it is necessary to consult a qualified electrician.

COORDINATES F F1801044

EN

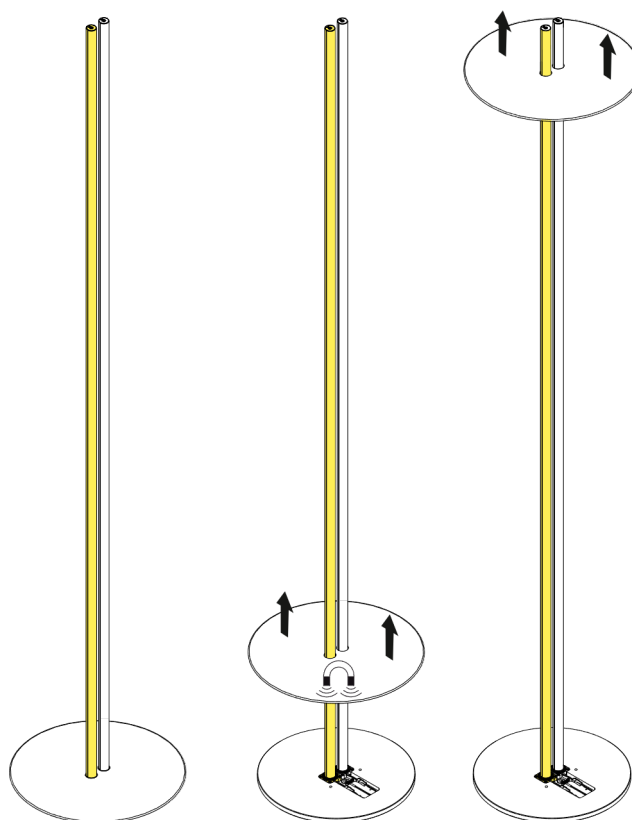
**RF1800044**  
BODY AND BLOCK ASSEMBLY

Fig.2

Remove the base upper cover.

WARNING! When installing and whenever acting on the appliance, ensure that the power supply has been switched off.  
For the installation of the spare-part, it is necessary to consult a qualified electrician.

COORDINATES F F1801044

EN

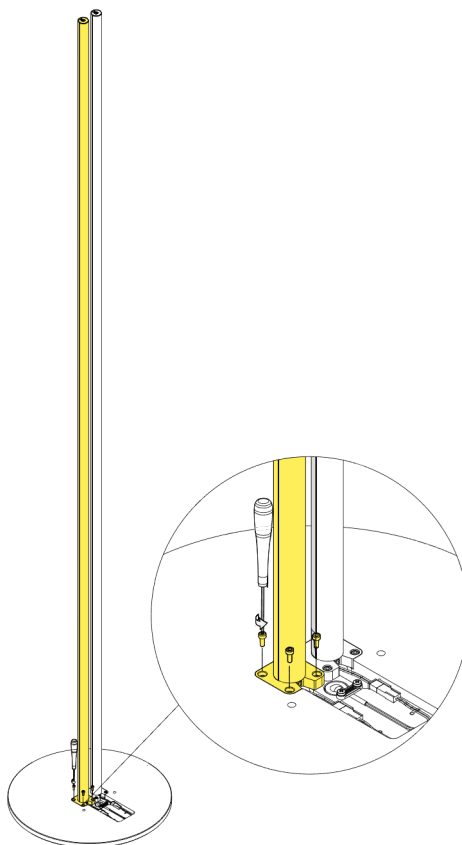
**RF1800044**  
BODY AND BLOCK ASSEMBLY

Fig.3

Unfasten the n°4 screws.

WARNING! When installing and whenever acting on the appliance, ensure that the power supply has been switched off.  
For the installation of the spare-part, it is necessary to consult a qualified electrician.



COORDINATES F F1801044

EN

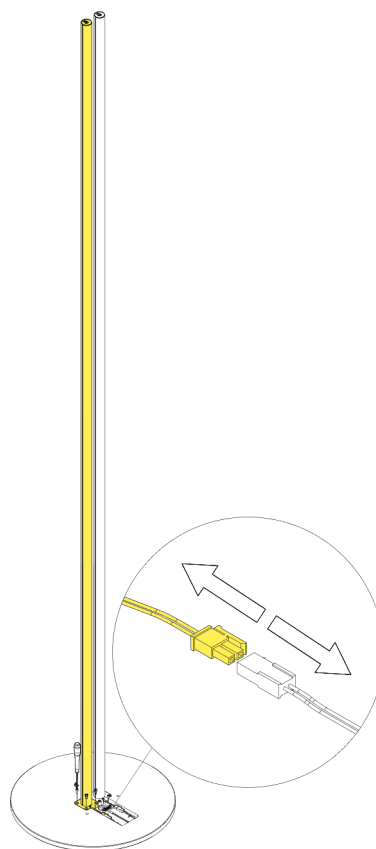
**RF1800044**  
BODY AND BLOCK ASSEMBLY

Fig.4

Disconnect the pins.

WARNING! When installing and whenever acting on the appliance, ensure that the power supply has been switched off.  
For the installation of the spare-part, it is necessary to consult a qualified electrician.

COORDINATES F F1801044

EN

# RF1800044

BODY AND BLOCK ASSEMBLY

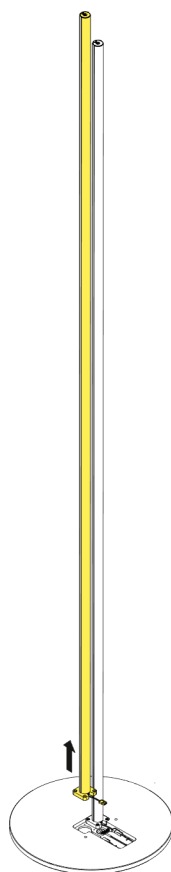


Fig.5

Remove the damaged body and block assembly.

Assemble now the new spare parts.  
Position the new body and block assembly (Fig.5).

Connect the pin (Fig.4 page.9)

Fast the n°4 screws (Fig.3 page 8)

Connect the base upper cover (Fig.2 page 7)

Put the fixing kit assembly on the body (Fig.1 page 6).

WARNING! When installing and whenever acting on the appliance, ensure that the power supply has been switched off.  
For the installation of the spare-part, it is necessary to consult a qualified electrician.

COORDINATES F F1801044

EN

## RF31891

BASE UPPER COVER



WARNING! When installing and whenever acting on the appliance, ensure that the power supply has been switched off.  
For the installation of the spare-part, it is necessary to consult a qualified electrician.

COORDINATES F F1801044

EN

**RF31891**

BASE UPPER COVER

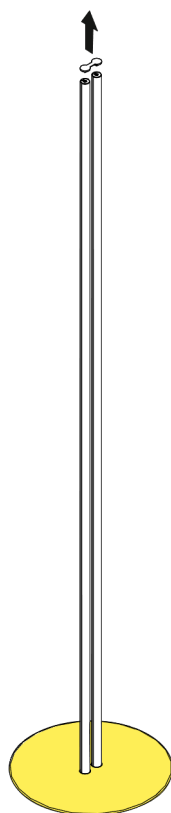


Fig.1

Remove the fixing kit assembly from the body.

WARNING! When installing and whenever acting on the appliance, ensure that the power supply has been switched off.  
For the installation of the spare-part, it is necessary to consult a qualified electrician.

COORDINATES F F1801044

EN

**RF31891**

BASE UPPER COVER

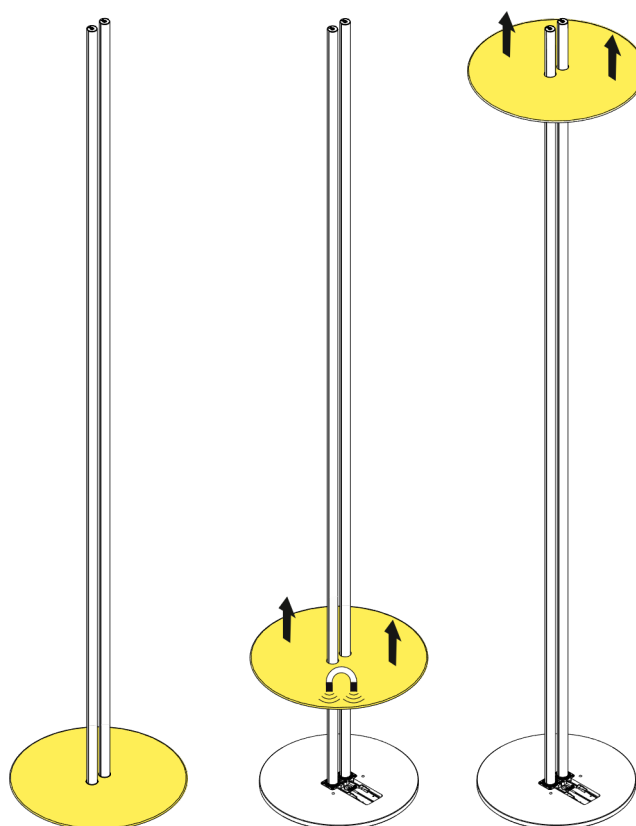


Fig.2

Remove the base upper cover.

Now assemble the new spare part.

Connect the new base upper cover (Fig.2 page 13)

Put the fixing kit assembly on the body (Fig.1 page 12).

WARNING! When installing and whenever acting on the appliance, ensure that the power supply has been switched off.  
For the installation of the spare-part, it is necessary to consult a qualified electrician.

COORDINATES F F1801044

EN

## RF27549

SWITCH DIMMER 48V PMW 500Hz



Coordinates F  
p.14



Noctambule F  
All floor versions

WARNING! When installing and whenever acting on the appliance, ensure that the power supply has been switched off. For the installation of the spare-part, it is necessary to consult a qualified electrician.

COORDINATES F F1801044

EN

## RF27549

SWITCH DIMMER 48V PMW 500Hz

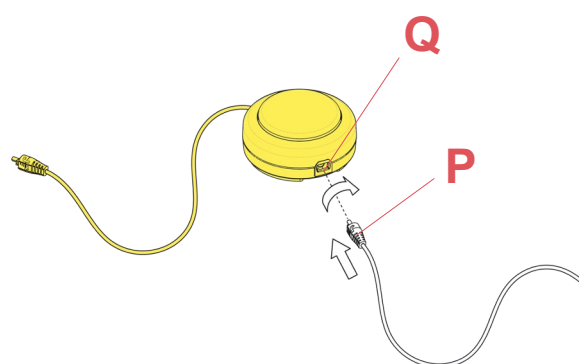


Fig.1

Connect the plug (P) to the push button switch (Q) locking it by turning it 90° clockwise.

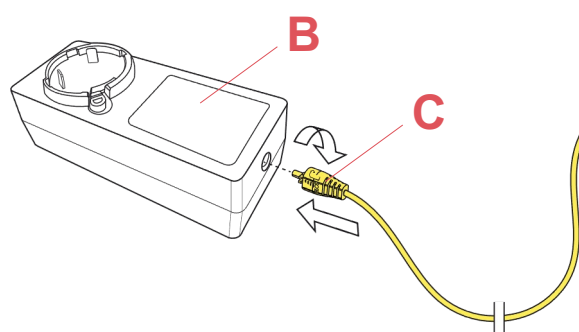


Fig.2

Connect the plug (C) to the power unit (B) locking it in by rotating it 90° clockwise.

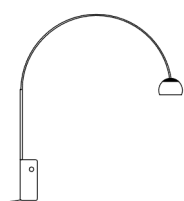
WARNING! When installing and whenever acting on the appliance, ensure that the power supply has been switched off. For the installation of the spare-part, it is necessary to consult a qualified electrician.

COORDINATES F F1801044

EN

## RF3320400

BLACK PLUG & KIT DRIVER



Arco Led  
p.03



Bellhop  
F  
p.11



Captain  
Flint  
p.05



Coordinates F  
p.14



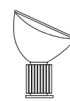
Noctambule  
All Floor  
Versions  
p.15



Sawaru  
p.03



Superloon  
p.13



Taccia  
Led  
p.13

WARNING! When installing and whenever acting on the appliance, ensure that the power supply has been switched off. For the installation of the spare-part, it is necessary to consult a qualified electrician.



COORDINATES F F1801044

EN

**RF3320400**

BLACK PLUG &amp; KIT DRIVER

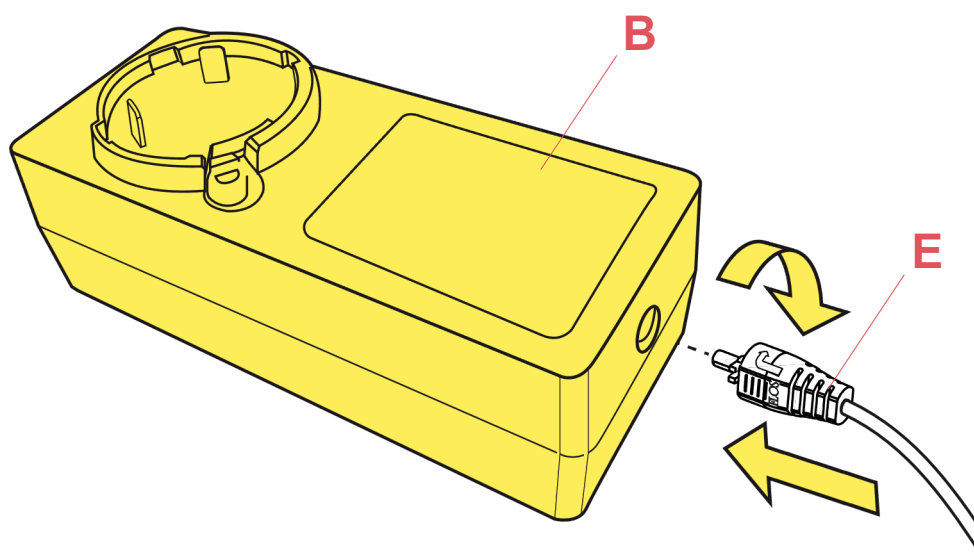


Fig.1

Insert the plug (E) into the power unit (B). By using the guides, snap the plug inside its apposite slot (use the correct type of plug for the country in which the device must be installed).

WARNING! When installing and whenever acting on the appliance, ensure that the power supply has been switched off. For the installation of the spare-part, it is necessary to consult a qualified electrician.

COORDINATES F F1801044

EN

## RF29554

KEY AND SCREWS ASSEMBLY



WARNING! When installing and whenever acting on the appliance, ensure that the power supply has been switched off.  
For the installation of the spare-part, it is necessary to consult a qualified electrician.

©2021 Flos - All rights reserved - [www.flos.com](http://www.flos.com)  
Flos reserves the right to introduce any changes to its own models, without prior notice.