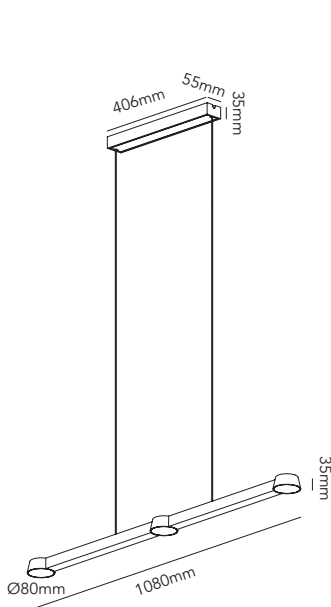
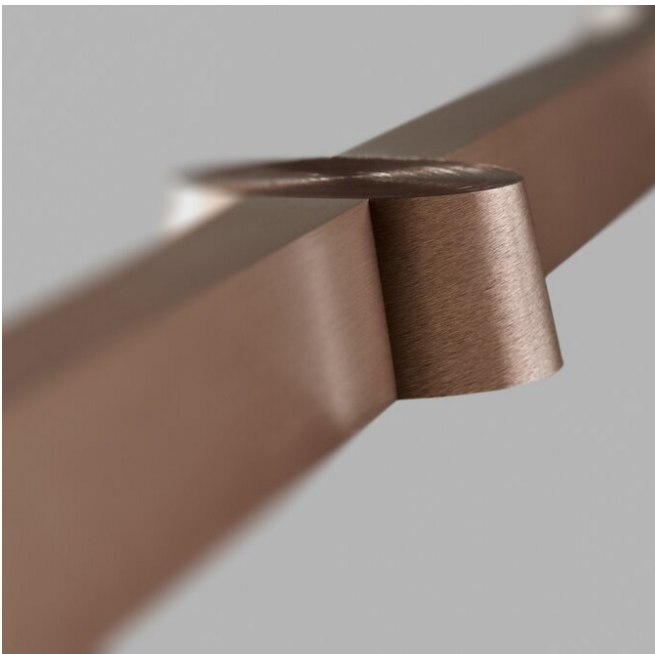


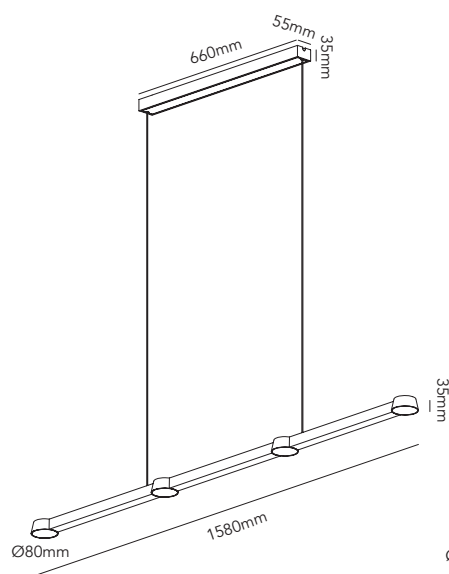


OPTIC LINEAR

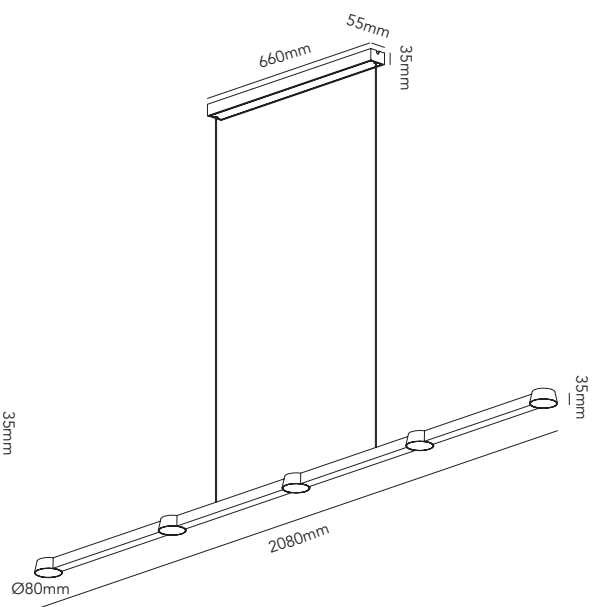
Design: Nital Patel



OPTIC LINEAR S1000



OPTIC LINEAR S1500



OPTIC LINEAR S2000

OPTIC LINEAR - 2700/3000K

Design: Nital Patel

LIGHT·POINT
C O P E N H A G E N

ART. NAME	OPTIC LINEAR L1000	OPTIC LINEAR L1500	OPTIC LINEAR L2000
Art. no. carbon black	270900	270910	270920
Art. no. rose gold	270902	270912	270922
Art. no. titanium	270901	270911	270921
EAN carbon black	5711389709006	5711389709105	5711389709204
EAN rose gold	5711389709020	5711389709129	5711389709228
EAN titanium	5711389709013	5711389709112	5711389709211
Material	Aluminium / Glass	Aluminium / Glass	Aluminium / Glass
Light source	COB	COB	COB
Lifetime	50.000h	50.000h	50.000h
Number of light sources	3	4	5
Electronical gear	N/A	N/A	N/A
Driver watt	24W	26W	40W
Light source watt	3X6	4X6	5X6
System watt	21	24	30
Voltage	220-240V	220-240V	220-240V
Dimmable	Yes	Yes	Yes
Lumen output	1260	1500	1980
Lumen pr. watt	60	60	60
Flux	N/A	N/A	N/A
CCT (K)	2700K/3000K	2700K/3000K	2700K/3000K
RA/CRI	>90	>90	>90
Mac Adam	3	3	3
Light distribution	Down	Down	Down
Beam angle	N/A	N/A	N/A
Tilt angle	N/A	N/A	N/A
Cutout mm.	N/A	N/A	N/A
Rotation	N/A	N/A	N/A
Looping	N/A	N/A	N/A

Updated 3rd of May 2021