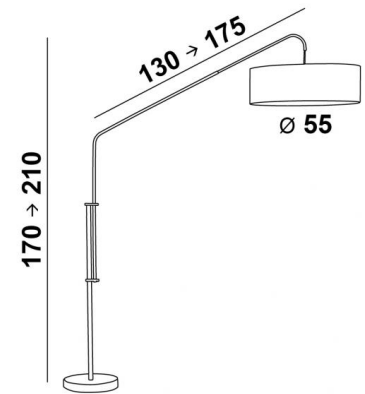




## ELEPHANTINE



ELEPHANTINE in brushed bronze with lampshade in Seta brique (fabric from category 3)



Adjustable floor lamp (height and depth) with round cylindrical lampshade. Foot switch. Practical and effective

### OVERALL SIZES

H170→210cm |→130→175cm Ø55cm

### BASE

Ø35 x 2,5cm

### TECHNICAL DATA

One E27 fitting with ring

A foot switch on the cable (standard)

A foot dimmer on the cable (option)

Floor lamp adjustable in depth

Floor lamp adjustable in height

Delivered with a diffuser in Polycrystal (Ø55cm)

### AVAILABLE METAL FINISHES AND CODES



29 - Brushed bronze - 3233 029



32 - Brushed chrome - 3233 032

### LAMPSHADE : SIZES & CODE

Ø55 - 55 - 20cm

+ *integral diffuser*

Code: 3233 + fabric code

We offer more than 150 materials and colors

