

Copérnica

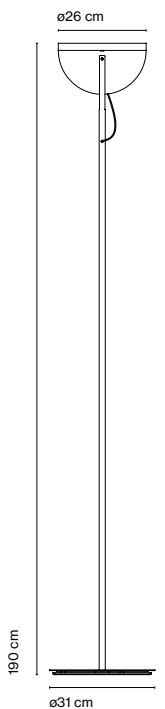
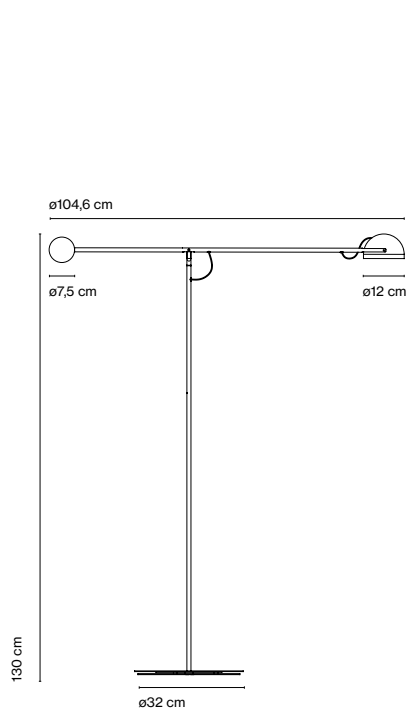
Ramírez i Carrillo

marset



Copérnica P

Copérnica P190



Copérnica P
 LED SMD 6,9W 700mA
 2700K CRI90
 Light source 427lm
 (included)

Copérnica P190
 LED SMD 30,5W 700mA
 2700K CRI90
 Luminaire 2302lm
 Light source 3380lm
 (included)

Black electrical cord

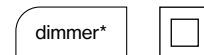
Structure in satin nickel or graphite with the base and counterweight in lacquered steel. Tilttable difusser in aluminium with a built-in switch.

Copérnica P

- ⊙ Satin nickel - Golden - White
- ⊙ Satin nickel - Graphite - White
- ⊙ Satin nickel - Red - White
- ⊙ Graphite - Golden - Black
- ⊙ Graphite - Satin nickel - Black
- ⊙ Graphite - Red - Black

Copérnica P190

- ⊙ Satin nickel - White
- ⊙ Graphite - Black



* 3 positions dimmer

- [Download](#) Assembly instructions
- [Download](#) 2D
- [Download](#) 3D
- [Download](#) Energy label
- [Download](#) Photometric data

Watch the video info@marset.com
www.marset.com



The collection consists of desktop and standing versions that play with counterweights of mixed materials and density, such as steel and aluminium. This design allows one to move the lamp with great precision, providing a wide range of heights, distances, and adjustments to the beam of light to suite one's taste.