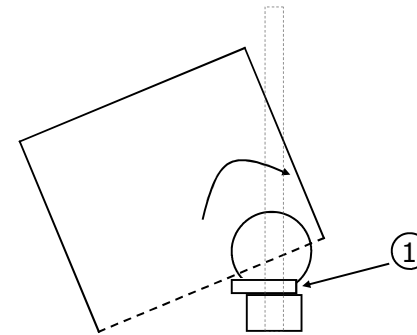


FR **PLACEMENT DE L'ABAT-JOUR SEHEL**

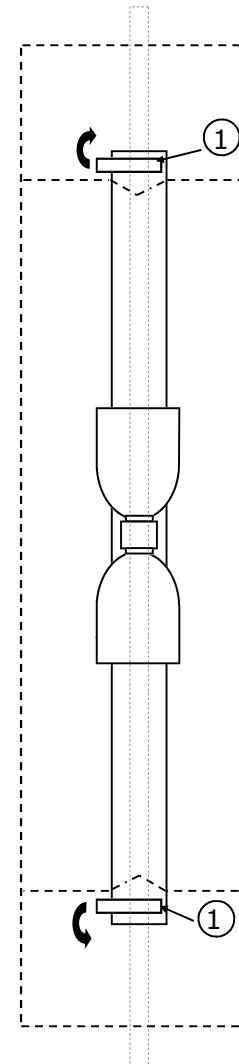
1. Avant de placer l'abat-jour, veillez à ce que les deux barrettes (1) soient placées horizontalement.
2. Inclinez l'abat-jour pour le glisser dans l'arche (croquis A), en passant doucement et progressivement au-dessus des deux douilles.
3. Une fois que l'abat-jour est pratiquement à sa place, il suffit, pour le fixer, de pivoter les barrettes (croquis B). **Les bouts les plus longs des barrettes doivent être basculés vers les extrémités de l'applique.**



A

NL **PLAATSING VAN DE SEHEL LAMPENKAP**

1. Alvorens de lampenkap te plaatsen, gelieve er over te waken dat beide slotjes (1) horizontaal geplaatst zijn.
2. Kantel de lampenkap om hem te glijden in de kader (schets A) en passeer zachtjes en progressief boven de 2 fittingen.
3. Wanneer de lampenkap praktisch op zijn plaats is, volstaat het om de 2 slotjes te draaien (schets B). **De langste uiteinden van de slotjes moeten gebracht worden naar de uiteindes van het wandlamp.**



B

EN **PLACEMENT OF THE SEHEL SHADE**

1. Before placing the shade, take care that the two latches (1) are placed horizontally.
2. Incline the shade to slip it into the arch (sketch A), while passing gently and gradually above the two fittings.
3. Once the shade is practically on his place, it is enough to fix by swivelling the latches (sketch B). **The longest latches must be rocked towards the ends of the wall lamp.**

DE **PLATZIERUNG DER SEHEL LAMPENSCHIRM**

1. Schauen Sie, vor den Lampenschirm zu installieren dazu, daß beide Schlösser (1) horizontal positioniert werden.
2. Kippen Sie den Lampenschirm um ihn zu schlüpfen in die Rahmen (Zeichnung A) und übergeben Sie behutsam und schrittweise über die Fassungen.
3. Wenn die Lampenschirm fast auf der Platz ist, reicht es um die 2 Schlösser (Zeichnung B) um zu schalten. **Die längste Enden der Slösser müssen gebracht werden an den Enden der Wandleuchte.**



Manufacturer : DAVIDTS LIGHTING – Brussels – Belgium – www.davidts.com

Installation and security instructions (please read and save)

This luminaire is manufactured according to European directives and standards relating to quality and safety of lighting fixtures. A declaration of conformity is available by downloading on our site.

Description of the lighting

Lighting for fixing to the wall or ceiling with handmade shade(s) with a soft and pleasant light distribution. More pictures, drawings and complete descriptions are available on our website.

Environmental protection

Our packaging is made from 100% recyclable or re-usable material. For care of the environment please sort or recycle. Fluorescent bulbs and waste electrical equipment should not be disposed of with household waste please take to a recycling facility. This fixture is essentially composed of solid brass. This metal and other elements are fully recyclable. At end of life, if you take the fixture to a recycling facility, each metal will be recovered for new metal production.

Installation of the lighting

This lighting is only intended for indoor use, it must be installed away from moisture, splashing and sources of heat. Suitable for direct mounting on normally flammable surfaces. Before starting the installation, ensure the electrical supply is OFF at the circuit breaker in the consumer unit. Only switching OFF at the wall switch is not adequate.

Carefully remove all packaging. All of our fixtures are fixed to the wall or to the ceiling by means of a mounting plate (placement is done by means of screws and dowels, not supplied). Some of our luminaires have more detailed installation instructions (attached to this document). Please read carefully before starting the installation.

If your light lighting has a fitting with shade ring, unscrew it in order to secure the shade to the fitting. If the shade is made with a seam, make sure that it is positioned towards the back of the light. Screw down the ring carefully. Place the bulb (not supplied) without forcing into the fitting. If necessary straighten the shade, only by carefully flexing the metal rods of the shade.

If you have any doubt about the installation of this lighting, please contact a qualified electrician.

Inserting or replacing a bulb

Always ensure the electrical supply is OFF before this operation. If necessary, let the old bulb to cool for 10 minutes before removing. Place the bulb without forcing into the fitting. Do not directly touch it with the fingers, but with a cloth (fingerprints reduce the lifetime of a bulb). Be always attentive to the choice of a bulb, never exceed the maximum power (W) authorized, indicated on the labels of the light fitting. If an integral LED bulb attached to the fixture is defective, please contact your distributor.

Maintenance of your shades

When your shade is dusted use only a brush suitable for delicate fabrics. Never rub the shade with a damp cloth or with water. Stains or marks on shades can't be removed, attempting removal will risk increasing the surface of the stain. In the case of a disaster, only a new shade can recover the original beautiful aspect and clarity of your lighting. To do this please contact your distributor.

Maintenance of your lighting

Because smoke and dust particles in the air are attracted by a heat source, a deposit will appear on the fixture in the course of time. For maintenance, allow the bulb to cool for at least 10 minutes. Clean the fixture with a paper towel soaked with glass cleaner. Never use solvents, abrasive or corrosive products. Never immerse the fixture in water. If the wires are damaged, they must be replaced by a qualified electrician. This fixture must never be modified as this can make it dangerous to use.