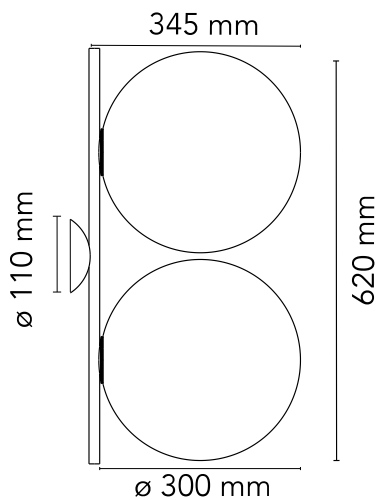
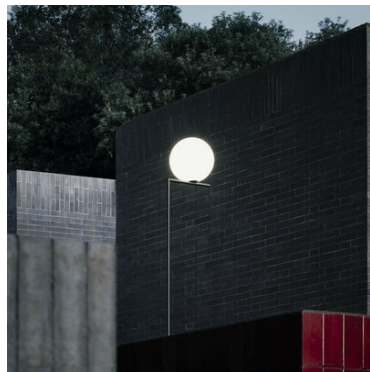


## IC Lights C/W2 Double

■ F3159030 - Black

Designed by Michael Anastassiades

Wall-ceiling lamp providing diffused light. Frame in brass, brushed and transparent varnished or chrome steel. Blown glass opal diffuser.



### Main specifications

<b>Mounting</b>	Ceiling and wall surface	<b>Icos</b>	HSGS
<b>Environment</b>	Indoor dry location	<b>Autoprotected Lamp</b>	Yes
<b>Light source type</b>	Bulb	<b>Source Power (W)</b>	205
<b>Lamp category</b>	Halogen		
<b>Lamp holder</b>	E27		

### Optical

<b>Lighting Type</b>	Total
<b>Lighting distribution</b>	Symmetric
<b>Cold Beam Lighting</b>	No
<b>Extreme Cut off</b>	No

### Electrical

<b>Insulation class</b>	I
<b>Frequency (Hz)</b>	50/60
<b>Main Voltage (Vac)</b>	220-250
<b>Batteries Inside</b>	No

### Physical

<b>Colour</b>	Black
<b>Net weight (kg)</b>	4.25
<b>Gross weight (kg)</b>	9.37
<b>IP</b>	20
<b>IP external</b>	20

