



WEVER & DUCRÉ  
LIGHTING

# SQUBE on track 2.0 LED

144368B5

Project

Type

Notities

Kwantiteit

Datum

## ALGEMEEN

Plafond, Track

Max. kantelhoek 90°

Rotatie 355°

Matzwart

RAL 9005<sup>a</sup>

IP20

Interieur

Output: 960 lm

CIE flux code: 91 99 100 100 100

## LED

3000 K

CRI ≥ 90

L70 / 55000h

3 SDCM

## OPTISCH

Medium, Stralingshoek 32°

## ELEKTRISCH

phase-cut dim

220 - 240 V

Totaal aangesloten vermogen 11.8 W

Klasse 1

## FYSISCH

Diameter 55 mm

Hoogte 90 mm

0.4 kg

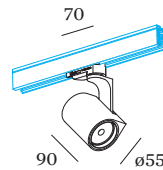
70 (adapter) mm

incl. adapter 3-fase track

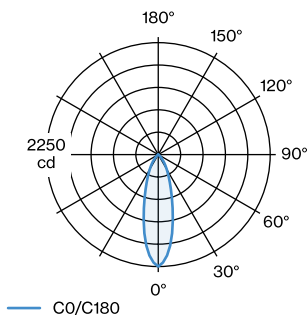
<sup>a</sup> De kleur kan vanwege productieomstandigheden iets afwijken.



Spot voor van gegoten aluminium incl. adapter 3-fase track; oppervlak Matzwart; gepoedercoat; mat textuur; RAL 9005; binnenring zwart; met COB (Chip on Board) technologie voor maximale efficiëntie; phase-cut dim; lichtkleur 3000 K; binning initial MacAdam ≤ 3 SDCM; CRI ≥ 90; 220 - 240 V; stralingshoek 32°; spotkop 355° draaibaar en 90° kantelbaar; beschermingsgraad IP20; Klasse 1; lichtbron vervangbaar door gekwalificeerd personeel;



## LICHTVERDELING





WEVER & DUCRÉ  
LIGHTING

# SQUBE

## on track 2.0 LED

144368B5

### KEGELDIAGRAM

medium 30°

| h (m) | EO° (lx) | ø (m) |
|-------|----------|-------|
| 1     | 2250     | 0.53  |
| 2     | 560      | 1.06  |
| 3     | 250      | 1.60  |
| 4     | 140      | 2.13  |
| 5     | 90       | 2.66  |

### Onderhoudsfactoren

| Bedrijfstijd [h] | 10 000 | 20 000 | 30 000 | 40 000 | 50 000 |
|------------------|--------|--------|--------|--------|--------|
| LLMF             | 0.95   | 0.91   | 0.86   | 0.82   | 0.79   |
| LSF              | 1      | 1      | 1      | 1      | 1      |

|                  |                         |                   |                             |
|------------------|-------------------------|-------------------|-----------------------------|
| MF               | LMF × RSMF × LLMF × LSF | RSMF <sup>a</sup> | Onderhoudsfactor ruimte     |
| MF               | Onderhoudsfactor        | LLMF              | Lumenbehoudfactor lichtbron |
| LMF <sup>a</sup> | Behoudfactor armatuur   | LSF               | Overlevingsfactor lichtbron |

<sup>a</sup> Volgens "CIE 97, Maintenance of indoor electric lighting systems", 2005, ISBN 3-900-734-34-8. De waarden moeten bepaald worden door de planningverantwoordelijke.

### ELEKTRISCH

#### Dimmer

| TYPE            | KLEUR | L · W · H (MM) | ORDERCODE       |
|-----------------|-------|----------------|-----------------|
| voor schakelaar |       | 46·17.5·46     | 9 0 0 1 9 0 1 7 |
| DIN RAIL        | Wit   | 17·55·90       | 9 0 0 1 9 0 1 8 |

#### Snijgereedschap

| TYPE                      | ORDERCODE       |
|---------------------------|-----------------|
| 3-fase track en 48V track | 9 0 0 1 4 1 6 5 |

#### L-Connector 1.0

| TYPE                 | KLEUR | L · W · H (MM) | ORDERCODE       |
|----------------------|-------|----------------|-----------------|
| 3-fase track   links | Wit   | 143·140·38     | 9 0 0 1 4 2 2 0 |
| 3-fase track   links | Zwart | 143·140·38     | 9 0 0 1 4 2 2 1 |

#### L-Connector 2.0

| TYPE                  | KLEUR | L · W · H (MM) | ORDERCODE       |
|-----------------------|-------|----------------|-----------------|
| 3-fase track   rechts | Wit   | 143·140·38     | 9 0 0 1 4 2 2 2 |
| 3-fase track   rechts | Zwart | 143·140·38     | 9 0 0 1 4 2 2 3 |

#### Voeding midden

| TYPE                     | KLEUR | L · H (MM) | ORDERCODE       |
|--------------------------|-------|------------|-----------------|
| 3-fase track   rechtdoor | Wit   | 253·38     | 9 0 0 1 4 2 2 4 |
| 3-fase track   rechtdoor | Zwart | 253·38     | 9 0 0 1 4 2 2 5 |



WEVER & DUCRÉ  
LIGHTING

# SQUBE on track 2.0 LED

144368B5

## Rechte connector

| TYPE                     | KLEUR | L · W · H (MM) | ORDERCODE       |
|--------------------------|-------|----------------|-----------------|
| 3-fase track   rechtdoor | Wit   | 115-25-33      | 9 0 0 1 4 2 2 6 |
| 3-fase track   rechtdoor | Zwart | 115-25-33      | 9 0 0 1 4 2 2 7 |

## T-Connector 1.0

| TYPE         | KLEUR | L · W · H (MM) | ORDERCODE       |
|--------------|-------|----------------|-----------------|
| 3-fase track | Wit   | 254-143-38     | 9 0 0 1 4 2 2 8 |
| 3-fase track | Zwart | 254-143-38     | 9 0 0 1 4 2 2 9 |

## T-Connector 2.0

| TYPE         | KLEUR | L · W · H (MM) | ORDERCODE       |
|--------------|-------|----------------|-----------------|
| 3-fase track | Wit   | 254-143-38     | 9 0 0 1 4 2 3 0 |
| 3-fase track | Zwart | 254-143-38     | 9 0 0 1 4 2 3 1 |

## T-Connector 3.0

| TYPE         | KLEUR | L · W · H (MM) | ORDERCODE       |
|--------------|-------|----------------|-----------------|
| 3-fase track | Wit   | 254-143-38     | 9 0 0 1 4 2 3 2 |
| 3-fase track | Zwart | 254-143-38     | 9 0 0 1 4 2 3 3 |

## T-Connector 4.0

| TYPE         | KLEUR | L · W · H (MM) | ORDERCODE       |
|--------------|-------|----------------|-----------------|
| 3-fase track | Wit   | 254-143-38     | 9 0 0 1 4 2 3 4 |
| 3-fase track | Zwart | 254-143-38     | 9 0 0 1 4 2 3 5 |

## Eindvoeding | links

| TYPE         | KLEUR | L · W · H (MM) | ORDERCODE       |
|--------------|-------|----------------|-----------------|
| 3-fase track | Wit   | 148-32-38      | 9 0 0 1 4 2 3 8 |
| 3-fase track | Zwart | 148-32-38      | 9 0 0 1 4 2 3 9 |

## Eindvoeding | rechts

| TYPE         | KLEUR | L · W · H (MM) | ORDERCODE       |
|--------------|-------|----------------|-----------------|
| 3-fase track | Wit   | 148-32-38      | 9 0 0 1 4 2 4 0 |
| 3-fase track | Zwart | 148-32-38      | 9 0 0 1 4 2 4 1 |

## X-voeding

| TYPE         | KLEUR | L · W · H (MM) | ORDERCODE       |
|--------------|-------|----------------|-----------------|
| 3-fase track | Wit   | 254-254-38     | 9 0 0 1 4 2 4 8 |
| 3-fase track | Zwart | 254-254-38     | 9 0 0 1 4 2 4 9 |

## OPBOUW

### Trackprofiel 1m

| TYPE                         | KLEUR | L · W · H (MM) | ORDERCODE       |
|------------------------------|-------|----------------|-----------------|
| 3-fase track   opbouw/pendel | Wit   | 1000-32-38     | 9 0 0 1 4 2 0 0 |
| 3-fase track   opbouw/pendel | Zwart | 1000-32-38     | 9 0 0 1 4 2 0 1 |



WEVER & DUCRÉ  
LIGHTING

# SQUBE on track 2.0 LED

144368B5

## Trackprofiel 2m

| TYPE                         | KLEUR | L · W · H (MM) | ORDERCODE       |
|------------------------------|-------|----------------|-----------------|
| 3-fase track   opbouw/pendel | Wit   | 2000-32-38     | 9 0 0 1 4 2 0 2 |
| 3-fase track   opbouw/pendel | Zwart | 2000-32-38     | 9 0 0 1 4 2 0 3 |

## Trackprofiel 3m

| TYPE                         | KLEUR | L · W · H (MM) | ORDERCODE       |
|------------------------------|-------|----------------|-----------------|
| 3-fase track   opbouw/pendel | Wit   | 3000-32-38     | 9 0 0 1 4 2 0 4 |
| 3-fase track   opbouw/pendel | Zwart | 3000-32-38     | 9 0 0 1 4 2 0 5 |

## Flexibele connector

| TYPE         | KLEUR | L · W · H (MM) | ORDERCODE       |
|--------------|-------|----------------|-----------------|
| 3-fase track | Wit   | 143-143-38     | 9 0 0 1 4 2 8 8 |
| 3-fase track | Zwart | 143-38-31      | 9 0 0 1 4 2 8 9 |

## PENDEL

### Ophangset 1.5m

| TYPE                  | KLEUR | Ø · H (MM) | ORDERCODE       |
|-----------------------|-------|------------|-----------------|
| 3-fase track   pendel | Wit   | ∅32-1500   | 9 0 0 1 4 2 0 6 |
| 3-fase track   pendel | Zwart | ∅32-1500   | 9 0 0 1 4 2 0 7 |

### Ophangset 3.0m

| TYPE                  | KLEUR | Ø · H (MM) | ORDERCODE       |
|-----------------------|-------|------------|-----------------|
| 3-fase track   pendel | Wit   | ∅32-3000   | 9 0 0 1 4 2 0 8 |
| 3-fase track   pendel | Zwart | ∅32-3000   | 9 0 0 1 4 2 0 9 |

## Trackadapter

| TYPE         | KLEUR | ORDERCODE       |
|--------------|-------|-----------------|
| 3-fase track | Wit   | 9 0 0 1 4 2 7 9 |
| 3-fase track | Zwart | 9 0 0 1 4 2 8 0 |

## Haak

| TYPE         | KLEUR | L · W · H (MM) | ORDERCODE       |
|--------------|-------|----------------|-----------------|
| 3-fase track | Wit   | 26-28-48       | 9 0 0 1 4 2 8 4 |
| 3-fase track | Zwart | 26-28-48       | 9 0 0 1 4 2 8 5 |

## COVER en EINDKAP

### Eindkap

| TYPE                        | KLEUR | L · W · H (MM) | ORDERCODE       |
|-----------------------------|-------|----------------|-----------------|
| 3-fase track   links/rechts | Wit   | 32-32-38       | 9 0 0 1 4 2 1 6 |
| 3-fase track   links/rechts | Zwart | 32-32-38       | 9 0 0 1 4 2 1 7 |

### Track Cover

| TYPE                 | KLEUR | L · W (MM) | ORDERCODE       |
|----------------------|-------|------------|-----------------|
| 3-fase track   1,0 m | Wit   | 1000-26    | 9 0 0 1 4 2 3 6 |
| 3-fase track   1,0 m | Zwart | 1000-26    | 9 0 0 1 4 2 3 7 |