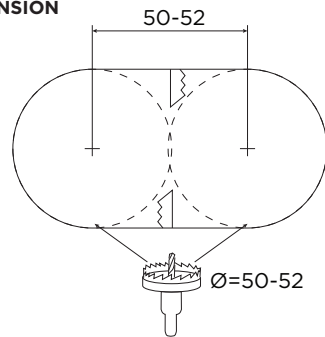


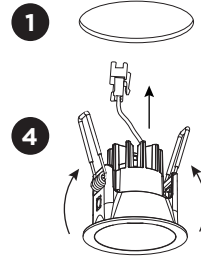
DEEP BIJOU

INSTALLATION INSTRUCTIONS | MAY 2021

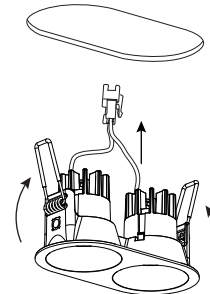
HOLE DIMENSION



1.0 LED



2.0 LED



DIMENSIONS

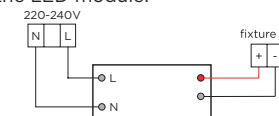
1.0 LED with wire springs	15 ø56	50	50-52	85	4-25
1.0 LED with blade springs	15 ø56	50	51-54	85	4-25
2.0 LED	15 107	50 56	50-52x 100-104	60	4-25

MOUNTING INSTRUCTION

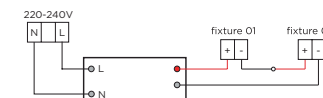
- 1 Make a hole in the ceiling according to the prescribed dimensions.
- 2 Connect the luminaire to a driver. Driver is not included.

3 POWER CONNECTION

Always use a power supply according to the specifications of the LED module.



SERIAL CONNECTION

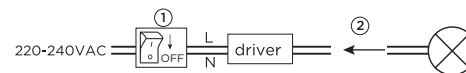


- 4 Push the springs up and insert the fixture in the ceiling hole.



Driver must be powered off before connecting cables.

Before connecting the luminaire/LED module to the driver please make sure the driver is not powered but disconnected from the mains. The driver can only be powered when the luminaire/LED module is already connected. Disregarding this instruction might damage or even destroy the luminaire/LED module.



WEVER & DUCRÉ
LIGHTING

WEVER & DUCRÉ BVBA
Spinnerijstraat 99/21, 8500 Kortrijk, Belgium
weverducre.com