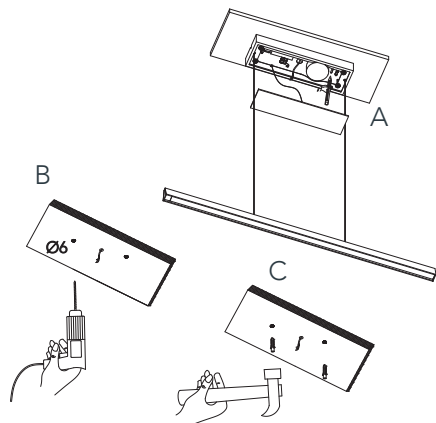


1

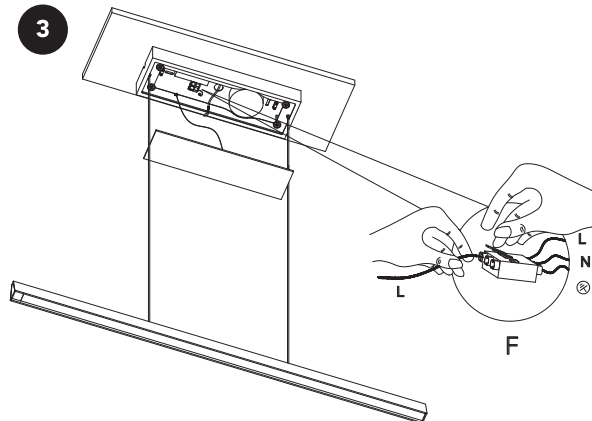


### Installation instructions

NOTE: Please make sure the power supply is turned off before installing the lamp.

- A:** Hold the ceiling base to the desired location, and mark the drilling points for the screws.
- B:** Drill into the marked drilling points using a  $\varnothing 6$ mm drill bit.
- C:** Fix the raw plugs so its flush against the surface.

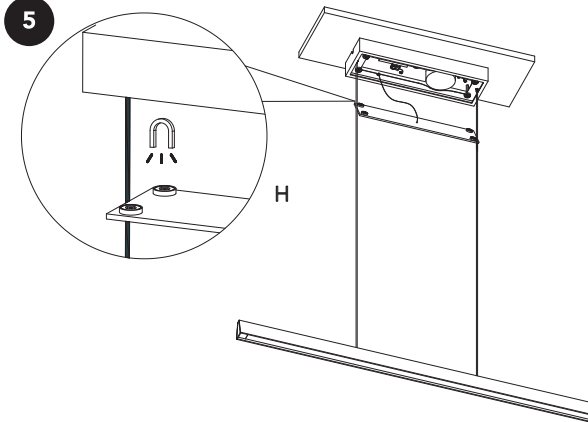
3



- F:** Connect the cables from both the lamp and the mains power into the terminal as illustrated above.

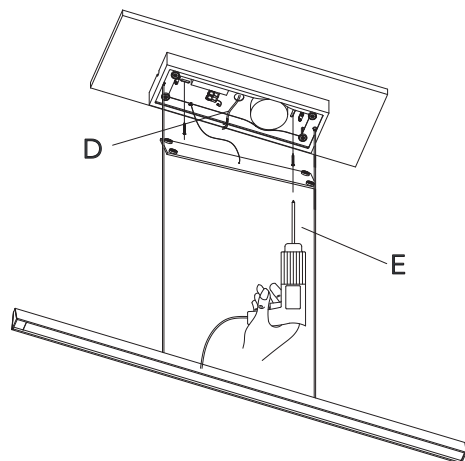
NOTE: The ceiling/lamp base can be used as installation box.

5



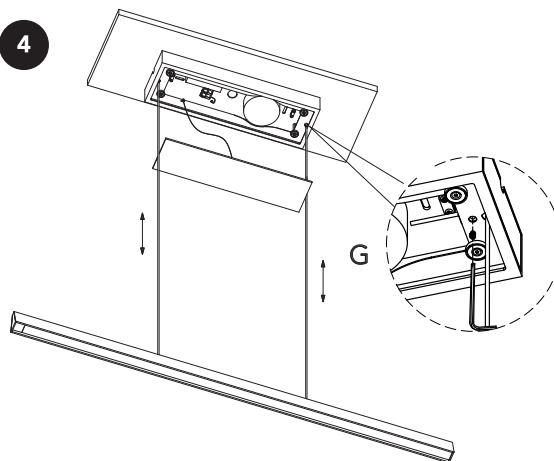
- H:** Mount the decorative ceiling base cover with the magnet fixing points illustrated.

2



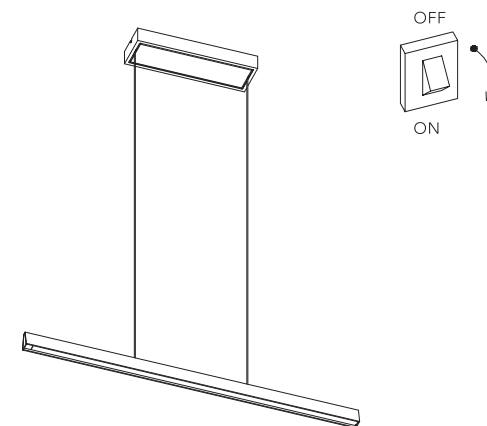
- D:** Place the ceiling base into the correct mounting position and pull out the mains power cable.
- E:** Screw the ceiling base securely into position.

4



- G:** To adjust the cable height, push the metal cable adjuster and either pull or feed the cable to the desired length. Release the cable adjuster to secure the cable.

6



- I** Installation is complete

### Dimmable with;

- Integrated LIGHT-POINT SMART TUNE Powered by Casambi
- Integrated Touchless sensor
- External Casambi compatible switches Installation instructions

\*This product cannot be controlled by external trailing-edge dimmer

# EDGE LINEAR

## User Instructions

### General use

- The product is designed for indoor use only.
- The lamp gets hot after prolonged use, therefore, do not cover the product.

### Cleaning instructions

- Before cleaning, ensure that the power supply is switched off.
- Wipe surface of lamp shade with a soft cloth.
- Do not use any abrasive cleaning tools such as steel wool, scouring sponges or stiff brushes.
- Never use strong cleaning agents such as white spirit, household glass cleaner or cellulose thinners.

### Safety precautions

- The appliance should be installed, connected and tested by qualified electrician and in accordance with local regulations.
- Turn off the power supply before installation or maintenance of the lamp, and make sure that the cables are not squeezed or damaged by sharp edges during installation.
- The lamp should not be covered by insulation blankets or similar materials.

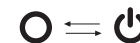
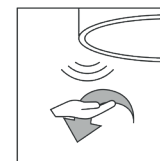
### International warranty

Your product has gone through rigorous testing in order to live up to the highest quality standards. It therefore carries a 7-year warranty from the date of the original retail purchase receipt, covering defects in materials and workmanship when used normally in accordance with the published LIGHT-POINT guidelines.

These guidelines include but are not limited to information contained in technical specifications, safety instructions and quick start guides. LIGHT-POINT is not responsible for damage arising from failure to follow instructions relating to the use of the product.

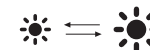
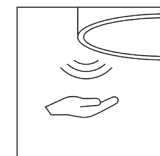
LIGHT-POINT is a registered trademark of NORDIC LIVING GROUP.

For more information, please visit  
**LIGHT-POINT.COM**



#### ON / OFF

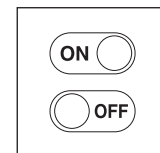
hold your hand still under the sensor for 2 - 3 seconds



#### DIMM

hold your hand still under the sensor to adjust the light level

*\*This product cannot be controlled by external trailing-edge dimmer*



#### ENABLE/DISABLE THE SENSOR

you can enable/disable the sensor by using the Casambi app

### LIGHT-POINT Smart Tune

powered by casambi

For more information about getting connected with your smartphone/tablet device, please visit;

<https://en.light-point.com/shop/cms-light-point/smarttune.html>

Please note: All the latest Casambi installation guides can be found at the above link or scan the QR code below.

