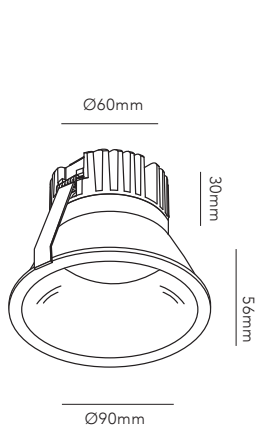
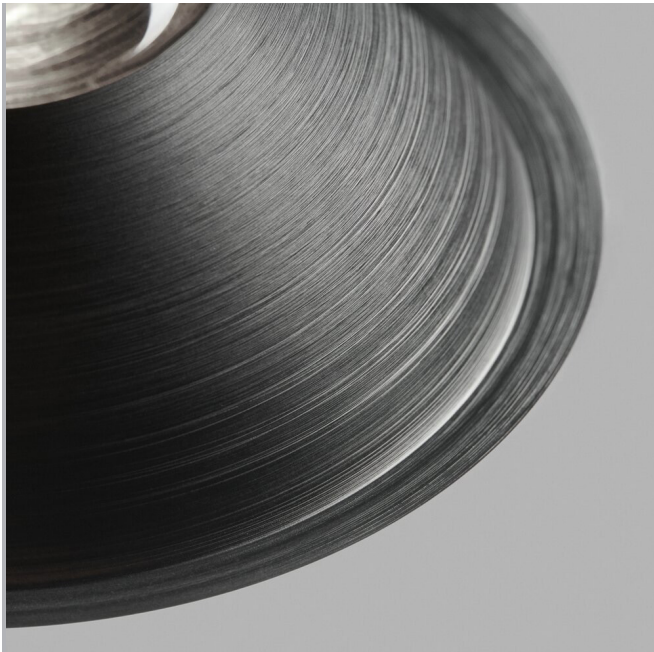
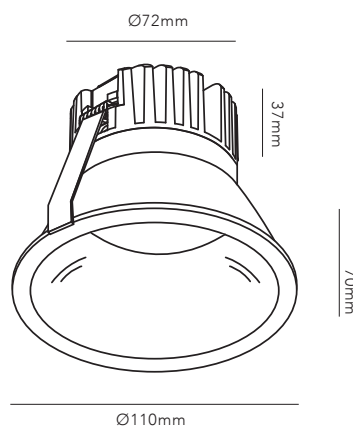


## CURVE

Design: Ronni Gol



**CURVE II Ø90**



**CURVE II Ø110**

# CURVE - 2700/3000K

Design: Ronni Gol

**LIGHT·POINT**  
C O P E N H A G E N

ART. NAME	CURVE II Ø90	CURVE II Ø110	
Art. no. rose gold	270942	270947	-
Art. no. titanium	270943	270948	-
Art. no. carbon black	270941	270946	-
Art. no. white	270940	270945	-
EAN rose gold	5711389709426	5711389709471	-
EAN titanium	5711389709433	5711389709488	-
EAN carbon black	5711389709419	5711389709464	-
EAN white	5711389709402	5711389709457	-
Material	Aluminum+glass	Aluminum+glass	-
Light source	CUSTOIZED	CUSTOIZED	-
Lifetime	50.000h	50.000h	-
Number of light sources	1	1	-
Electronical gear	N/A	N/A	-
Driver watt	10W	15W	-
Light source watt	10W	15W	-
System watt	10W	15W	-
Voltage	220-240V	220-240V	-
Dimmable	Yes	Yes	-
Lumen output	700	1050	-
Lumen pr. watt	70	70	-
Flux	N/A	N/A	-
CCT (K)	2700K & 3000K	2700K & 3000K	-
RA/CRI	>90	>90	-
Mac Adam	3	3	-
Light distribution	down	down	-
Beam angle	36°	53°	-
Tilt angle	N/A	N/A	
Cutout mm.	80	100	
Rotation	N/A	N/A	
Looping	N/A	N/A	