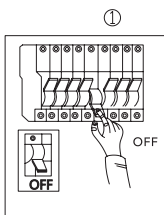
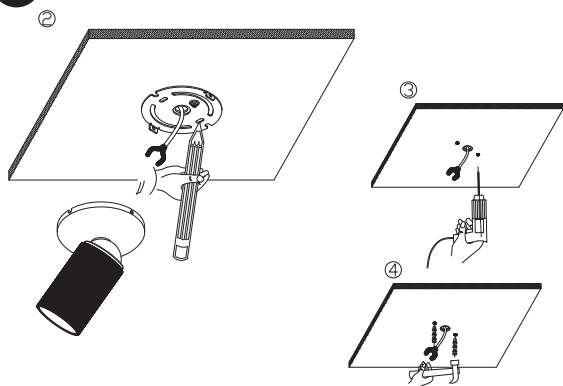


1

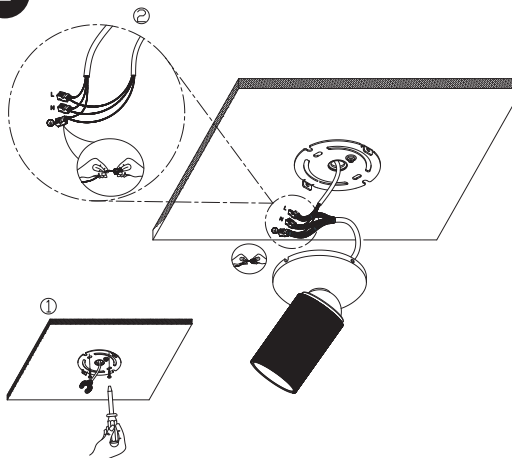


### Installation instructions

NOTE: Please make sure the power supply is turned off before installing the lamp.

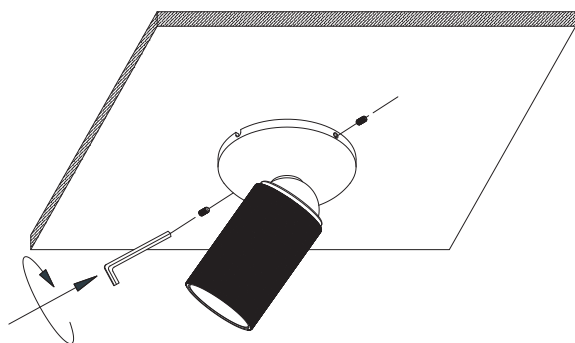
- A:** Hold the mounting plate to the desired location, and mark the drilling points for the screws.  
**B:** Drill into the marked drilling points. Use a Ø5mm drill bit.  
**C:** Fix the raw plugs so its flush against the surface.

2



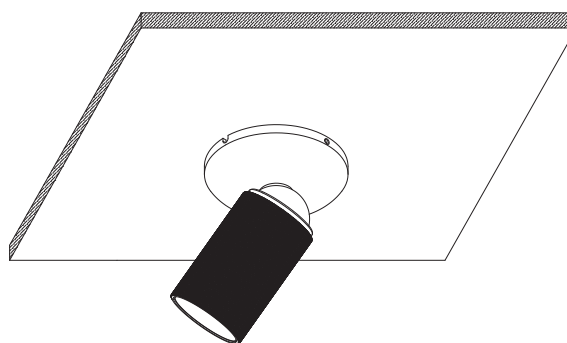
- D:** Place the mounting plate into the correct position and pullout the mains power cable.  
**E:** Screw the mounting plate securely into position.  
**F:** Connect the cables from both the lamp and the mains power into the terminal as illustrated above.

3



- G:** Screw the lamp to the mounting plate as illustrated above.

4



- H:** Installation is complete

### General use

- The product is designed for indoor use only.
- The lamp gets hot after prolonged use, therefore, do not cover the product.

### Cleaning instructions

- Wipe surface of lamp shade with a soft cloth
- Do not use any abrasive cleaning tools such as steel wool, scouring sponges or stiff brushes.
- Never use strong cleaning agents such as white spirit, household glass cleaner or cellulose thinners.

### Safety precautions

- The appliance should be installed, connected and tested by qualified electrician and in accordance with local regulations.
- Turn off the power supply before installation or maintenance of the lamp, and make sure that the cables are not squeezed or damaged by sharp edges during installation.
- The lamp should not be covered by insulation blankets or similar materials.

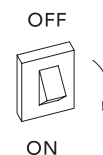
### International warranty

Your product has gone through rigorous testing in order to live up to the highest quality standards. It therefore carries a 7-year warranty from the date of the original retail purchase receipt, covering defects in materials and workmanship when used normally in accordance with the published LIGHT-POINT guidelines.

These guidelines include but are not limited to information contained in technical specifications, safety instructions and quick start guides. LIGHT-POINT is not responsible for damage arising from failure to follow instructions relating to the use of the product.

LIGHT-POINT is a registered trademark of NORDIC LIVING GROUP.

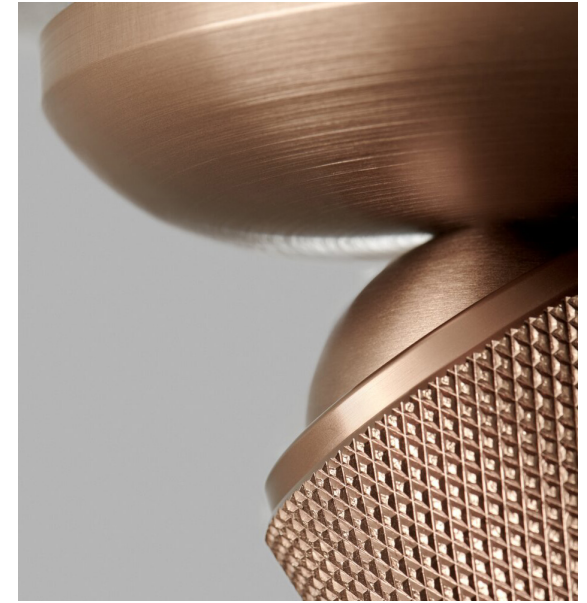
For more information, please visit  
**LIGHT-POINT.COM**



# RAW Collection

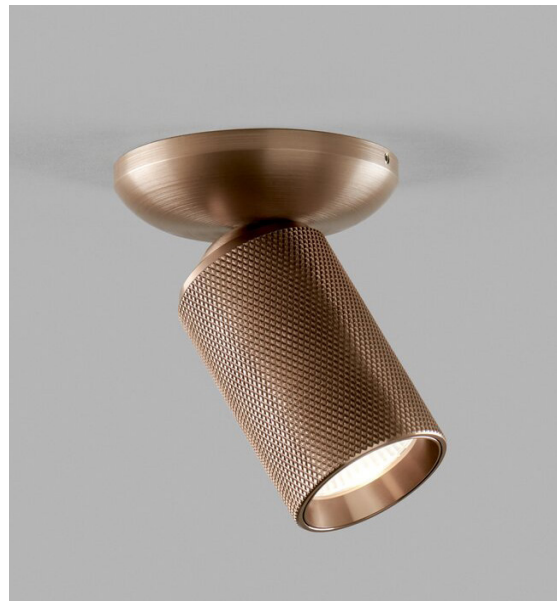
Raw is an attitude of refined simplicity and technical precision that has become synonymous of LIGHT-POINT's design style.

The Raw spot lamps feature LIGHT-POINT's newest signature, cross-knurled pattern that is machined into solid aluminum, giving it a contemporary, yet elegant aesthetic at the same time.



## RAW SPOT 1

### User Instructions



The diamond facets in the knurling textured have been softened to enrich the depth of the anodized colours.