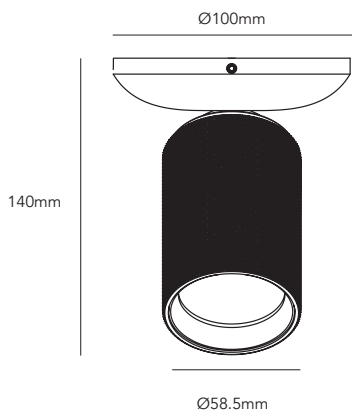
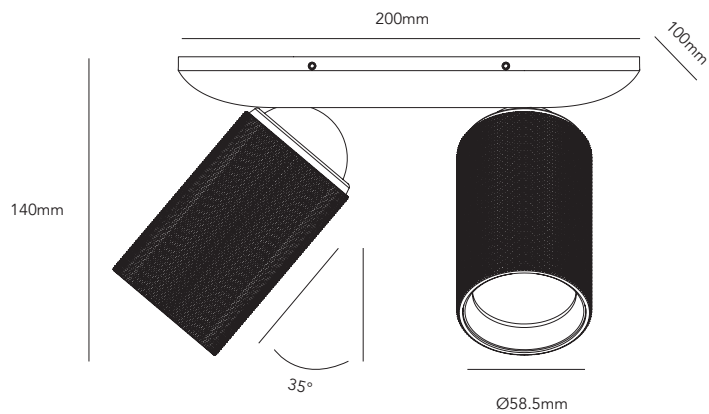


## RAW SPOT LIGHT

Design: Nital Patel



RAW 1



RAW 2

# RAW SPOT LIGHT - 2700/3000K

Design: Nital Patel

**LIGHT·POINT**  
C O P E N H A G E N

ART. NAME	RAW 1	RAW 2	
Art. no. carbon black	271250	271256	-
Art. no. rose gold	271251	271257	-
Art. no. titanium	271252	271258	-
Art. no. brass	271253	271259	-
EAN carbon black	5711389712501	5711389712563	-
EAN rose gold	5711389712518	5711389712570	-
EAN titanium	5711389712525	5711389712587	-
EAN brass	5711389712532	5711389712594	-
Material	Aluminum/Glass	Aluminum/Glass	-
Light source	LED	LED	-
Lifetime	50.000	50.000	-
Number of light sources	1	2	-
Electronical gear	N/A	N/A	-
Driver watt	N/A	N/A	-
Light source watt	8	17	-
System watt	N/A	N/A	-
Voltage	220-240V	220-240V	-
Dimmable	Yes	Yes	-
Lumen output	880	1870	-
Lumen pr. watt	110	110	-
Flux	N/A	N/A	-
CCT (K)	2700/3000	2700/3000	-
RA/CRI	>90	>90	-
Mac Adam	3	3	-
Light distribution	Down	Down	-
Beam angle	38°	38°	-
Tilt angle	N/A	N/A	-
Cutout mm.	N/A	N/A	-
Rotation	N/A	N/A	-
Looping	Yes	Yes	-