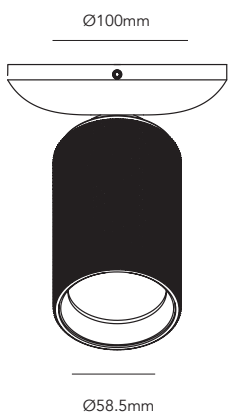
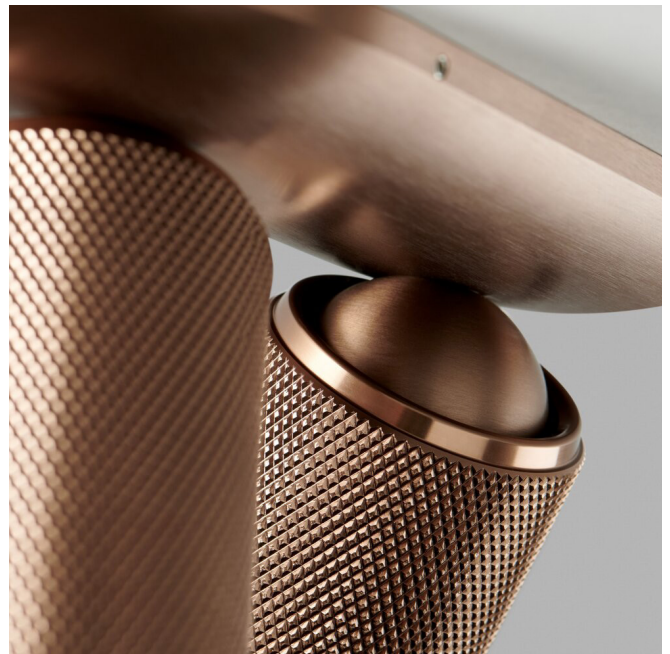
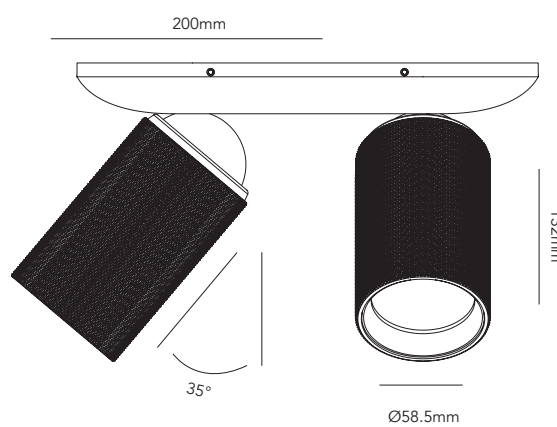


## RAW SPOTLIGHT

Design: Nital Patel



RAW SPOT LIGHT SINGLE



RAW SPOT LIGHT DOUBLE

# RAW SPOT LIGHT - 3000K

Design: Nital Patel

LIGHT·POINT  
C O P E N H A G E N

ART. NAME	RAW 1	RAW 2	
Art. no. rose gold	270951	270957	-
Art. no. titanium	270952	270958	-
Art. no. carbon black	270950	270956	
Art. no. brass	270953	270959	-
EAN rose gold	5711389709518	5711389709570	-
EAN titanium	5711389709518	5711389709587	-
EAN carbon black	5711389709501	5711389709563	
EAN brass	5711389709532	5711389709594	-
Material	Aluminum+PC	Aluminum+PC	-
Light source	Lumens	Lumens	-
Lifetime	50.000h	50.000h	-
Number of light sources	1	2	-
Electronical gear	N/A	N/A	-
Driver watt	6W	12W	-
Light source watt	6W	6W	-
System watt	6W	12W	-
Voltage	220-240V	220-240V	-
Dimmable	Yes	Yes	-
Lumen output	300	600	-
Lumen pr. watt	50	50	-
Flux	N/A	N/A	-
CCT (K)	3000K	3000K	-
RA/CRI	>90	>90	-
Mac Adam	N/A	N/A	-
Light distribution	Down	Down	-
Beam angle	N/A	N/A	-
Tilt angle	N/A	N/A	-
Cutout mm.	N/A	N/A	
Rotation	N/A	N/A	
Looping	N/A	N/A	