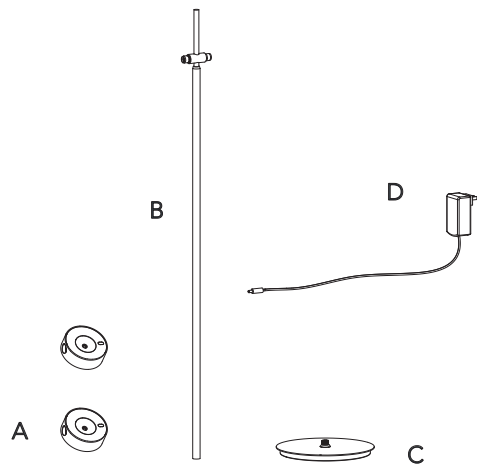


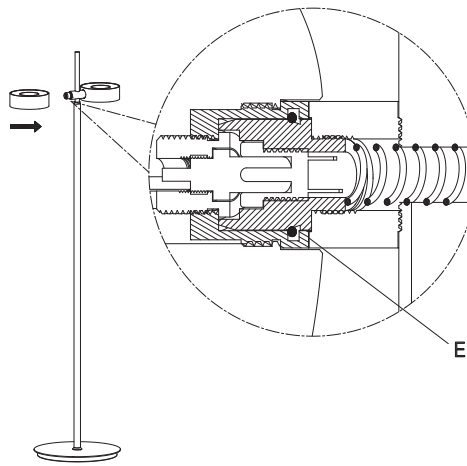
1



Installation instructions

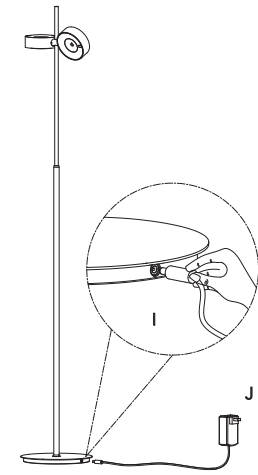
- A:** Open the box and identify the various lamp accessories.
 2 x Lamp heads
 1 x Pole
 1 x Floor base
 1 x Driver adaptor

3



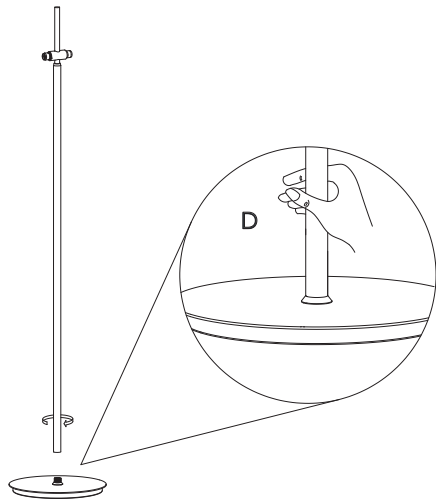
- C:** Firmly push and fasten the two lamp heads into the pole using the integrated jack system.

5



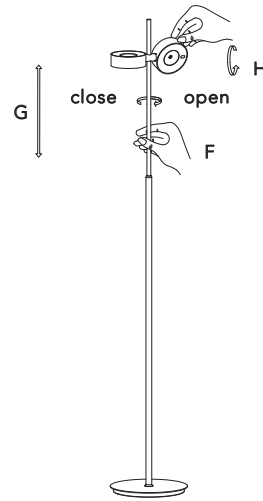
- E:** Plug the DC adaptor to the lamp base, and into the mains power.

2



- B:** Screw the pole into the floor base until you reach a tight fit.

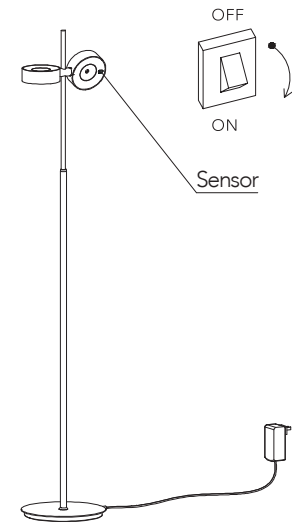
4



- D:** The pole height can be adjusted using the integrated "Twist lock" function as illustrated able. Clockwise to fasten, and anti-clockwise to loosen. NOTE: Be gentle when adjusting the pole height to avoid the lamp heads from dropping off.

6

**This product cannot be controlled by external trailing-edge dimmer*



- F:** Installation is complete

NOTE: The lamp heads have a built-in memory function and remembers the last LED brightness when turned on or off.

ORBIT Collection

Orbit is an indoor floor lamp that works optically, spreading light further, wider, and more softly. The optic glass lens provides a glare-free light, eliminating annoyance to the eyes while providing maximum light where needed.

The Orbit Floor lamp can be operated by the touch-less sensor to turn the light on/off and adjust the light intensity. Both spots can be control independently from one another, thus allowing users to shape their light.

General use

- The product is designed for indoor use only.
- The lamp gets hot after prolonged use, therefore, do not cover the product.

Cleaning instructions

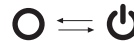
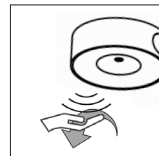
- Before cleaning, ensure that the power supply is switched off.
- Wipe surface of lamp shade with a soft cloth.
- Do not use any abrasive cleaning tools such as steel wool, scouring sponges or stiff brushes.
- Never use strong cleaning agents such as white spirit, household glass cleaner or cellulose thinners.

Safety precautions

- The appliance should be installed, connected and tested by qualified electrician and in accordance with local regulations.
- Turn off the power supply before installation or maintenance of the lamp, and make sure that the cables are not squeezed or damaged by sharp edges during installation.
- The lamp should not be covered by insulation blankets or similar materials.

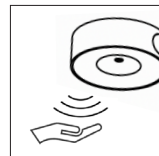
ORBIT FLOOR

User Instructions



ON / OFF

swipe your hand under the sensor



DIMM

hold your hand still under the sensor to adjust the light level

NOTE: The lamp heads have a built-in memory function and remembers the last LED brightness when turned on or off.

**This product cannot be controlled by external trailing-edge dimmer*

International warranty

Your product has gone through rigorous testing in order to live up to the highest quality standards. It therefore carries a 7-year warranty from the date of the original retail purchase receipt, covering defects in materials and workmanship when used normally in accordance with the published LIGHT-POINT guidelines.

These guidelines include but are not limited to information contained in technical specifications, safety instructions and quick start guides. LIGHT-POINT is not responsible for damage arising from failure to follow instructions relating to the use of the product.

LIGHT-POINT is a registered trademark of NORDIC LIVING GROUP.

For more information, please visit

LIGHT-POINT.COM