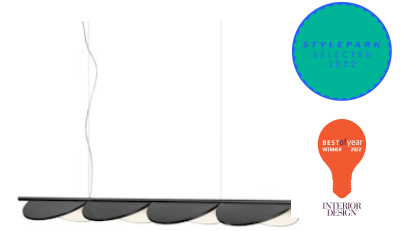


Almendra Linear Suspension 4 Primer NEW

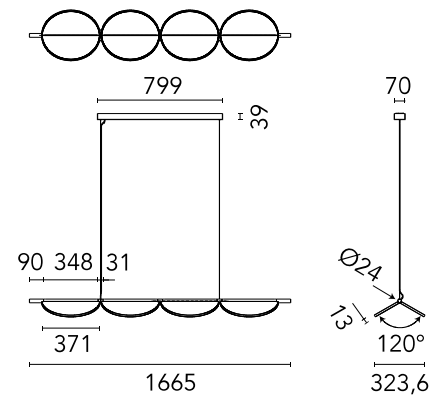
Designed by Patricia Urquiola, 2022

60W - 1804lm - 2700K - CRI> 95

Suspension lamp with diffused light emission available in linear and organic compositions. Tubular structure made of aluminium and CNC aluminium terminals with matte or metallized finish. Edge Lighting technology integrated. Light units can be turned by steps of 60° within the structure in order to change the direction of the light emitted. Metal rosette with primer finish. The integrated electronics in the ceiling rose allow the use of different dimming systems: 1-10V, DALI, push-dim or potentiometer. Useful length of the cable 3 mt. The product has been designed according to the ISCC standards and it is assembled with total absence of glued components so that it can be completely separated for future recyclability.



Are you a professional and your project needs consulting and support? [BOOK AN APPOINTMENT](#)



Main specifications

EAN	8059607050774
Mounting	Suspension
Environments	Indoor dry location
Light Source Type	LED
LED type	Edge Lighting
Power (W)	60
System flux (lm)	1804

Physical

Colour	Anthracite
Cord length (mm)	2600
Canopy dimension (mm)	39
Canopy width (mm)	799
Canopy height (mm)	70
Net weight (kg)	10.18
Package volume (m3)	0.22
IP internal	20

Download

Mounting instructions [↓ PDF](#)

Photometric Files

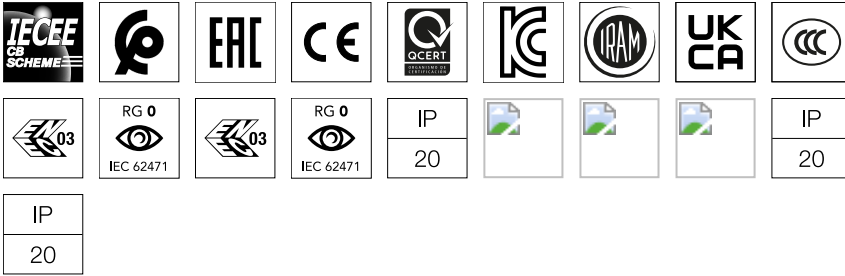
LDT / IES [↓ LDT](#)

Technical Drawings

2D [↓ ZIP](#)

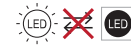
3D [↓ ZIP](#)

[Bim](#) [↓ ZIP](#)

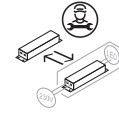


Ecodesign and Energy Labelling

This product contains a light source of energy efficiency class E

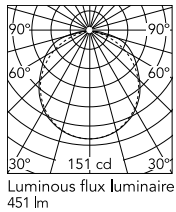


Non-replaceable light source



Replaceable control gear by a professional

Schematic light drawing



Beam Angle: 116°

h(m)	E(lx)	D(m)
1	151	3.21
2	38	6.42
3	17	9.63
4	9	12.84
5	6	16.05

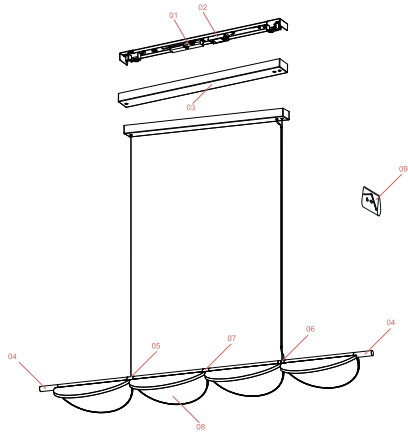
Photometric

Lighting type	Direct
Light distribution	Symmetric
CCT (K)	2700
CRI>	95

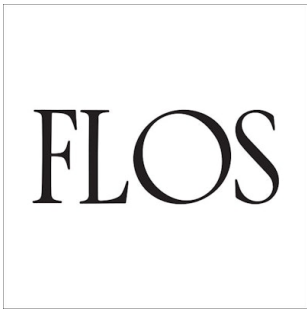
Electrical

Insulation class	I
Frequency (Hz)	50/60
Main voltage (Vac)	220-240
LED voltage Vf (Vdc)	null
Power Supply	Integrated
Dimmable	Yes
Power Supply Type	Dimmable 0-10V, Dimmable Push, Dimmable 1-10V, Dimmable DALI 1
Dimming interface	Remote Dimmable (Dimmer Not Included)

Spare Parts

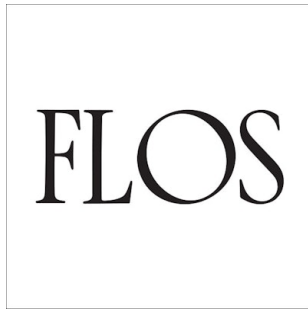


- | | | |
|-----|--|---------|
| 10. | Driver 96W 48V 220-240V | RF32405 |
| 20. | Assembly Almendra S Body
Anthracite | RF32517 |
| 30. | Assembly Almendra S Central
Feed Anthracite | RF32524 |
| 40. | Assembly Almendra S Wiring &
Connections Anthracite | RF32533 |
| 50. | Assembly Almendra S Wiring
Anthracite | RF32572 |
| 60. | Terminal Joint L90 Almendra
White | RF32776 |



RF32405

Driver 96W 48V 220-240V



RF32517

Assembly Almendra S Body
Anthracite



RF32524

Assembly Almendra S Central
Feed Anthracite



RF32533

Assembly Almendra S Wiring &
Connections Athracite



RF32572

Assembly Almendra S Wiring
Athracite



RF32776

Terminal Joint L90 Almendra
White