

RF6480130

String Light black hooks & cable clamps 5-unit kit



WARNING! When installing and whenever acting on the appliance, ensure that the power supply has been switched off.
For the installation of the spare-part, it is necessary to consult a qualified electrician.

RF6480130

String Light black hooks & cable clamps 5-unit kit

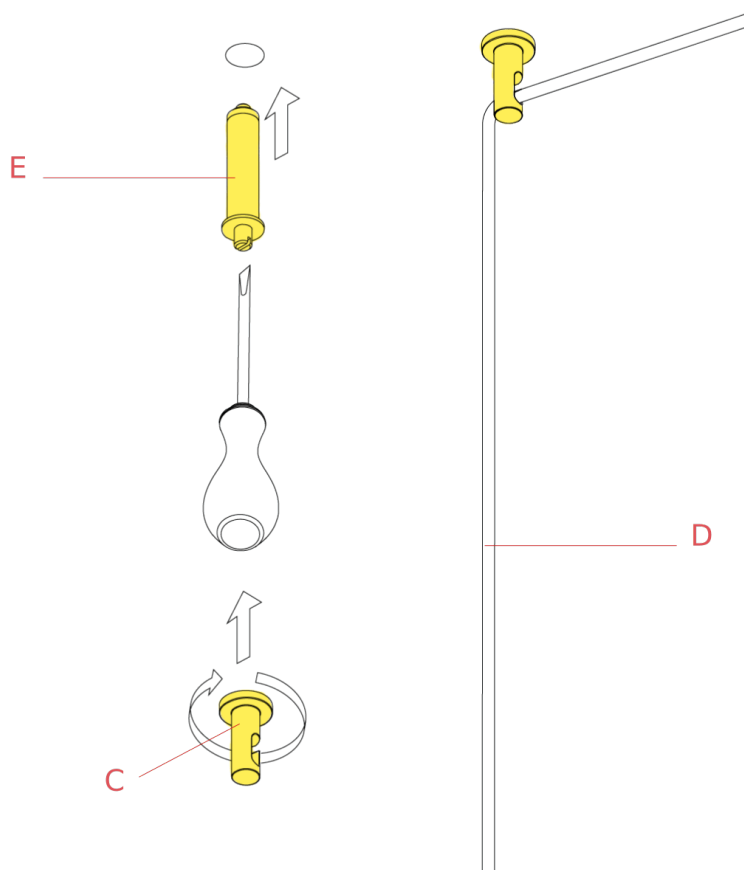


Fig.1

HOOK INSTALLATION

Drill a hole in the wall/ceiling and insert the anchor screw (E). Screw in with a flat headed screwdriver and then screw the hook (C) onto the protruding pin of the anchor screw. Lay the cable (D) so that it is sitting in the hook. NOTE: Select and employ screw anchor which is suited to the surface where the appliance is to be installed.

CABLE CLAMP INSTALLATION

The cable clamp system is normally utilized for the floor String Light version and is collocated in proximity of the pedal switch.

Drill a hole in the wall/ceiling and insert the anchor screw (E). Screw in with a flat headed screwdriver and then screw the hook (C) onto the protruding pin of the anchor screw.

NOTE: Select and employ screw anchor which is suited to the surface where the appliance is to be installed.

WARNING! When installing and whenever acting on the appliance, ensure that the power supply has been switched off. For the installation of the spare-part, it is necessary to consult a qualified electrician.

RF6480130

String Light black hooks & cable clamps 5-unit kit

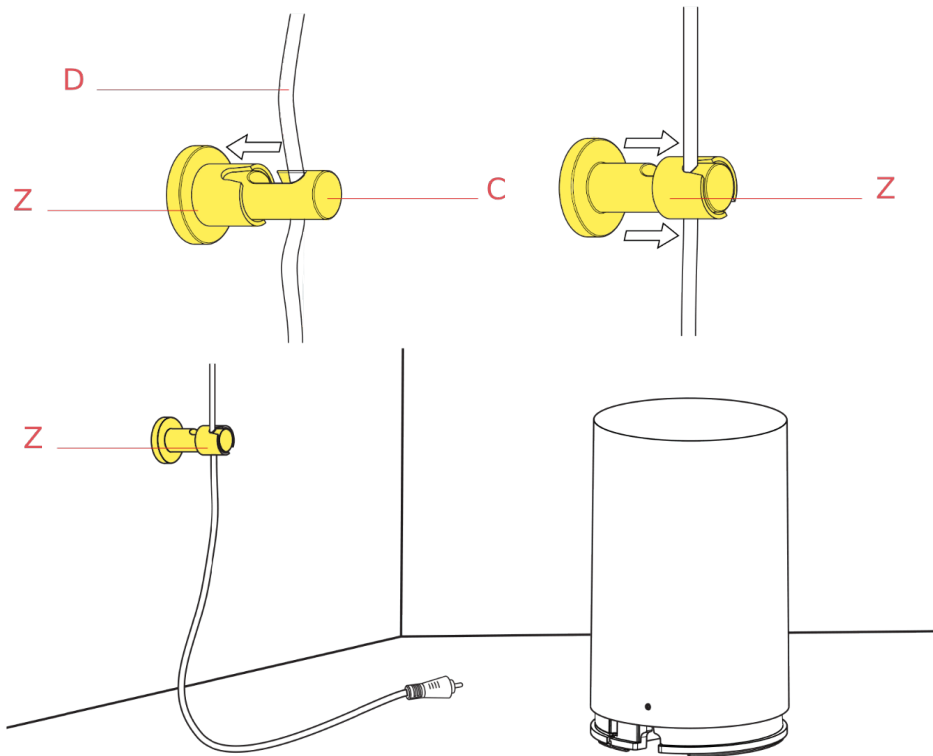


Fig.2

Fit the lock (Z) firmly on the hook (C). Introduce the cable (D) along to the last hook (C) before the floor switch, then lock the cable in position by pulling forward cable clamp (Z).

WARNING! When installing and whenever acting on the appliance, ensure that the power supply has been switched off. For the installation of the spare-part, it is necessary to consult a qualified electrician.