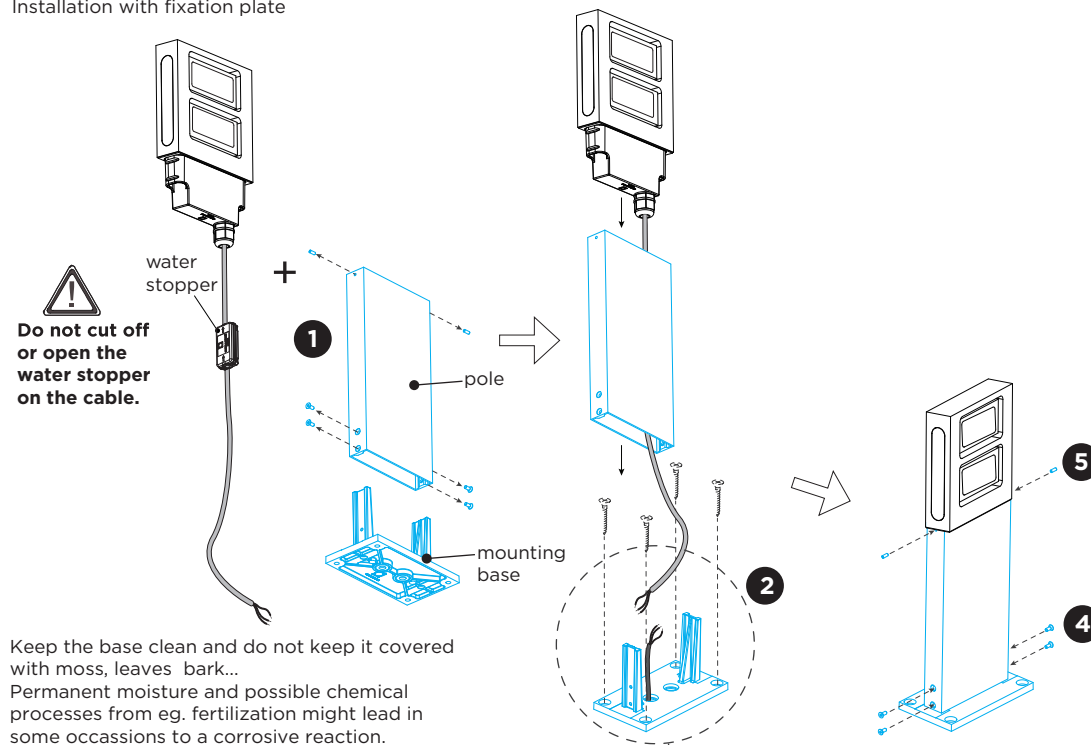
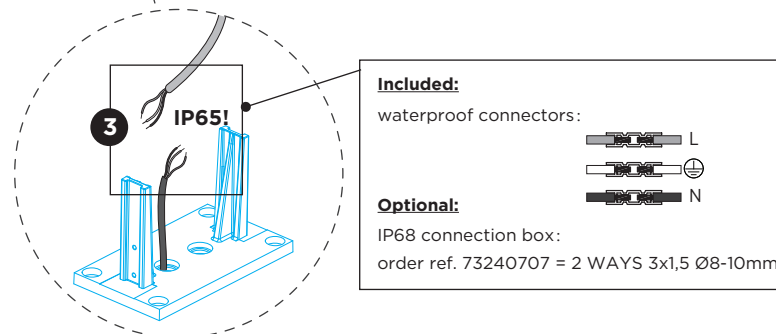
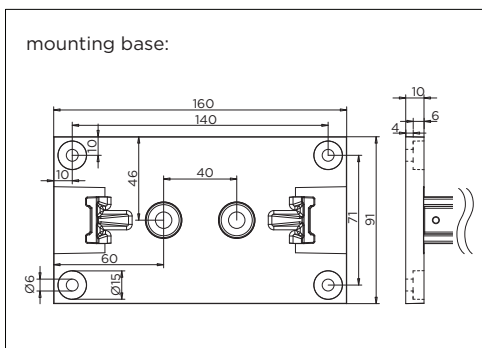


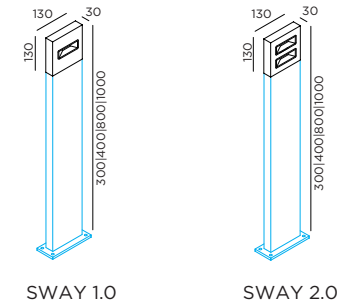
Installation with fixation plate



Keep the base clean and do not keep it covered with moss, leaves bark...
Permanent moisture and possible chemical processes from eg. fertilization might lead in some occasions to a corrosive reaction.



DIMENSIONS



MOUNTING INSTRUCTION

- 1 Remove the mounting base from the pole by loosening the screws.
- 2 Mount the base on the floor with screws (screws are not included.)
- 3 **POWER CONNECTION**
Connect to 220-240V. Connect the wires with the waterproof connections. Please see the detail method in the separate instruction sheet of waterproof connection.
- 4 Fix the pole on the mounting base with the screws.
- 5 Fix the luminaire on the pole with the included socket screws.

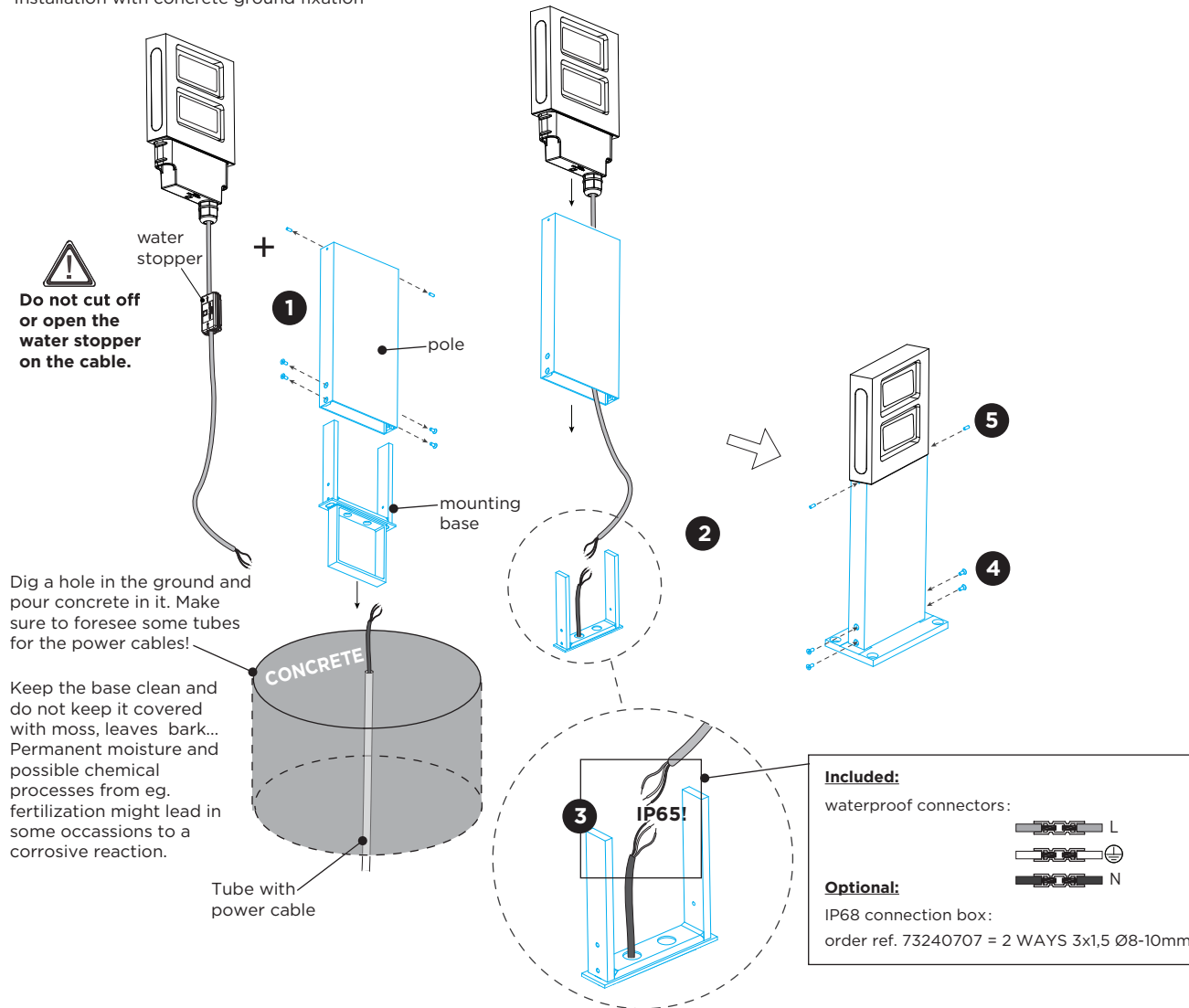
For installation with concrete ground fixation, please see the page 2.

PB19-010-377-00_v2

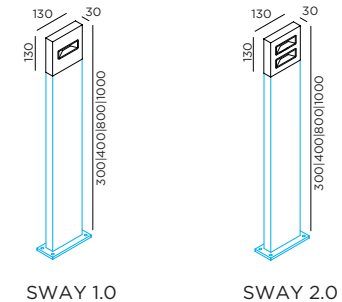
SWAY

INSTALLATION INSTRUCTIONS | DECEMBER 2022

Installation with concrete ground fixation



DIMENSIONS



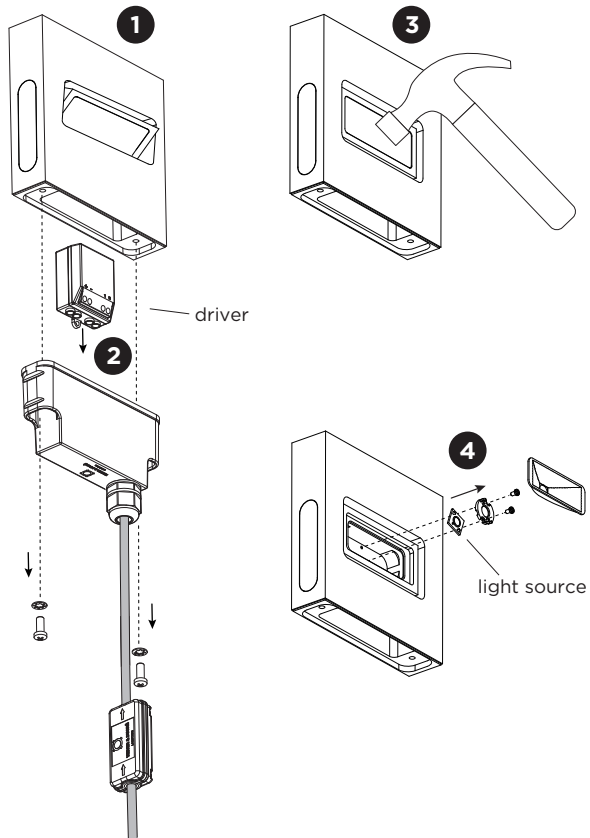
MOUNTING INSTRUCTION

- 1 Remove the mounting base from the pole by loosening the screws.
- 2 Mount the base in the floor with concrete.
- 3 **POWER CONNECTION**
Connect to 220-240V. Connect the wires in the separate instruction sheet of waterproof connection.
- 4 Fix the pole on the mounting base with the screws.
- 5 Fix the luminaire on the pole with the included socket screws.

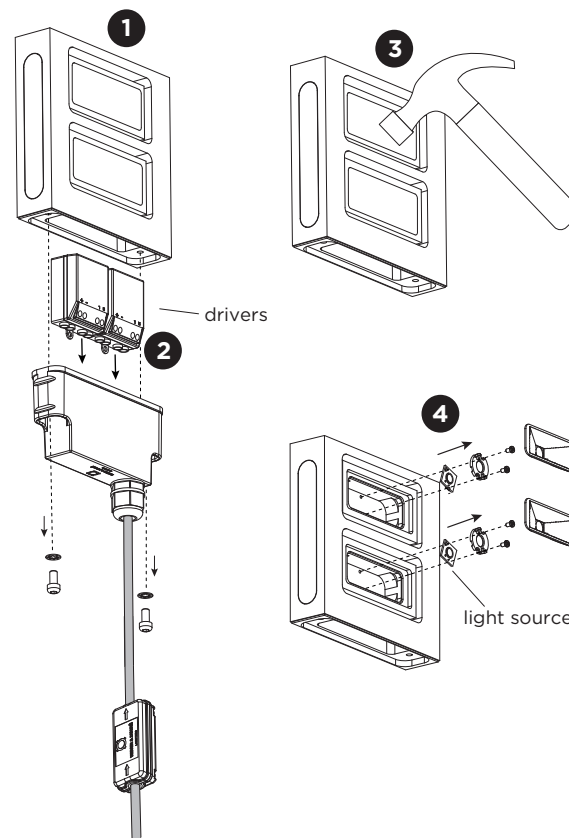
SWAY

INSTALLATION INSTRUCTIONS | DECEMBER 2022

SWAY 1.0



SWAY 2.0



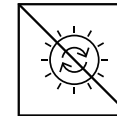
DISMOUNTING AND RECYCLING INSTRUCTIONS

Light source & driver

- 1 Loosen the screws and remove the housing from the luminaire.
- 2 Remove the driver(s) by loosening the wires.
- 3 Break the lens.
- 4 Take out the reflector and unscrew the light source(s).



The driver can be replaced by the end user.



The light source is not replaceable.



This luminaire contains a light source with the energy class F.



WEVER & DUCRÉ
LIGHTING

WEVER & DUCRÉ BV
Spinnerijstraat 99/21, 8500 Kortrijk, Belgium
weverducre.com