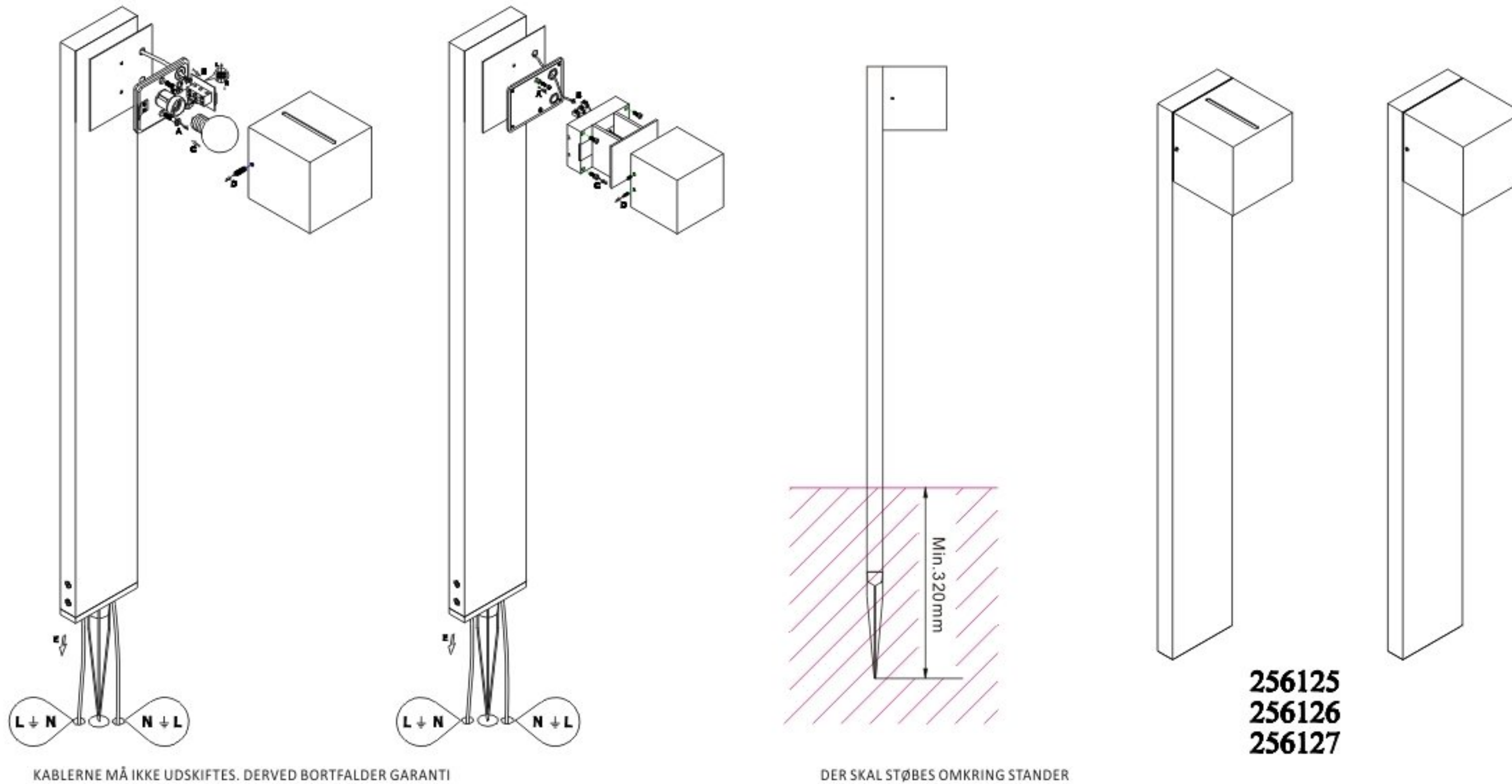


# LIGHT·POINT

## INSTRUCTION MANUAL



**NOTE:** THIS PRODUCT MUST BE INSTALLED ACCORDING TO LOCAL LAWS AND REGULATIONS!

[www.light-point.eu](http://www.light-point.eu)