

## in A . in S

### instructions for use

#### for unpaved beds and greens

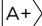
##### light technology:

230V Power LED / 2700K

system performance:

in A: 8 W/539 lm + in A black: 8 W/238 lm

in S: 8 W/574 lm + in S black: 8 W/261 lm

 EEK


##### technical information:

operating voltage 230V / 50Hz

connection cable H05RN8-F 3G0,75 with aquastop

 protection class

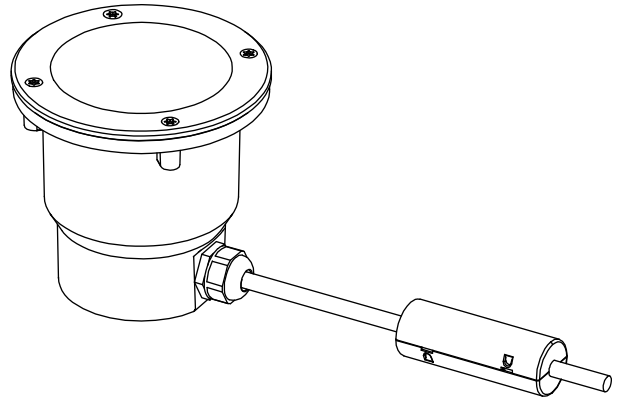
 safety class 1

 For mounting on normal inflammable fixture surfaces

 conformity mark

IK10+ shock protection

walk over resistant . not for drive-over



##### maintenance:

Disconnect the electrical installation.

This luminaire contains built-in LED lamps. The LED lamps can be replaced by IP44.de in case of a failure of the LED. In this case, please get in touch with your retailer.

##### dimming:

The luminaire can be dimmed with an approved leading- or trailing edge dimmer. Please contact IP44.de service center for a list of approved dimmers.

##### care:

Regularly clean luminaire from dirt and deposits.

Do not use a high pressure cleaner for cleaning.

Please note care instructions at [www.IP44.de](http://www.IP44.de).

##### safety:

We point out that the electric connection of light fixtures has to be done by a certified installer.

We assume no accountability for damages which are a result of non-appropriate mounting or application of the luminaire.

Modifications on the luminaire will result in loss of warranty.

Access only suitable for pedestrians and not for drive-over use. When the luminaire glass gets wet, there is a risk of pedestrians slipping.

##### assembly instructions:

The luminaire may not come into contact with highly acidic or alkaline soils, or with other aggressive substances, chemicals or fertilizers.

The luminaire housing must not be installed in heat-insulating or inflammable materials, nor be filled-in.

For the absorption of residual moisture, keep the sachet with desiccant inside the luminaire housing.

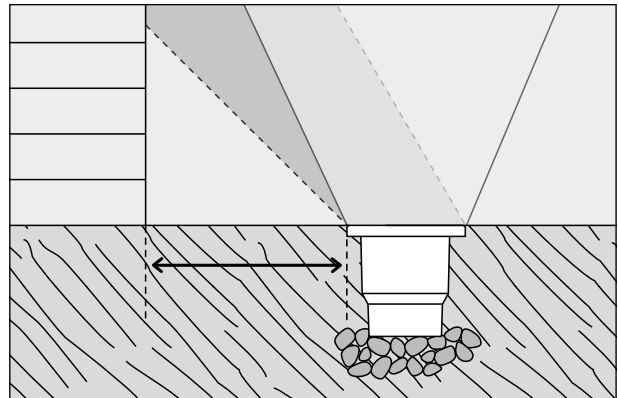
The installation is provided solely for unpaved soil, such as gravel beds and beds.

Installation of the asymmetric luminaire has to be made according to requested light direction.

## in A . in S

### installation instruction

#### 1. Determination of installation position



#### 2. Provide a 30cm deep drainage with gravel. Position the luminaire loose into the gravel bed.

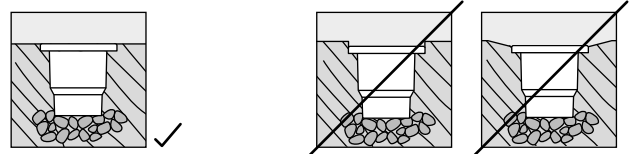
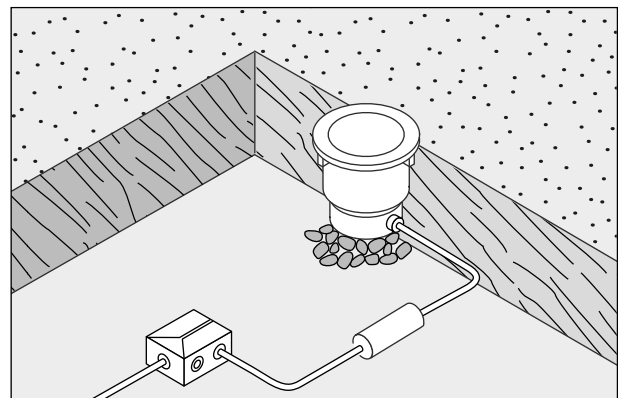
Adjust the upper edge of the luminaire flush with FFL.

Connection of the supply cable may not be made directly close to the luminaire housing, but in a distance of at least 1 m.

The enclosed cable conduit has to be pushed on the connection cable up to aquastop to protect it.

Provide electrical connection.

Fill in installation position with soil or gravel.



#### 3. Optionally the distribution box (item no. 55380) can be used to connect up to 6 luminaires in the ground to the supply line installed by the customer. After installation, all electric cables are sealed in the distribution box with the supplied cast resin.

