

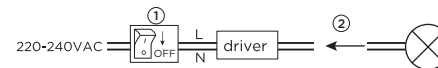
## DIMENSIONS

0.7				
0.8				
1.3				
2.0				



Driver must be powered off before connecting cables.

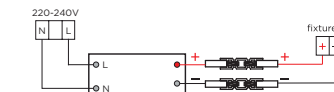
Before connecting the luminaire/LED module to the driver please make sure the driver is not powered but disconnected from the mains. The driver can only be powered when the luminaire/LED module is already connected. Disregarding this instruction might damage or even destroy the luminaire/LED module.



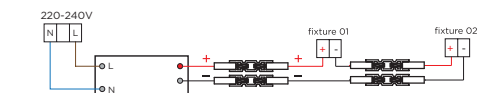
## MOUNTING INSTRUCTION

- 1 Make a hole in the wall according to the prescribed dimensions of the fixture or the recessed housing.
- 2 **POWER CONNECTION**  
Connect to 220-240V. Always use a driver according to the specifications of the LED module.

### Single connection

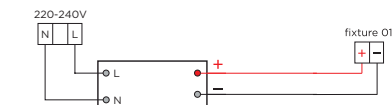


### Multiple connection

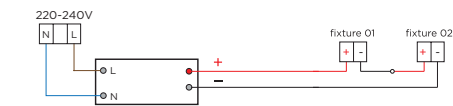


Connect the wires with the waterproof connectors. Please see the detail method in the separate instruction sheet of waterproof connection. Make sure to use a waterproof connection with the same IP rating as the luminaire.

### Single connection for indoor

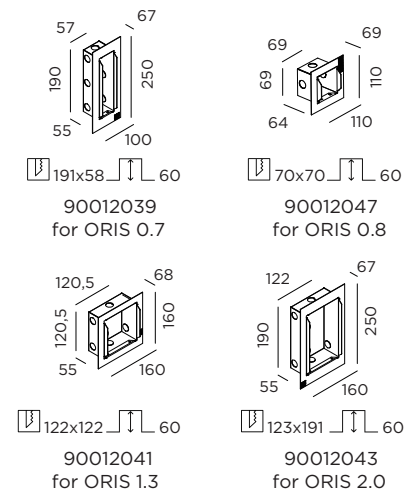


### Multiple connection for indoor

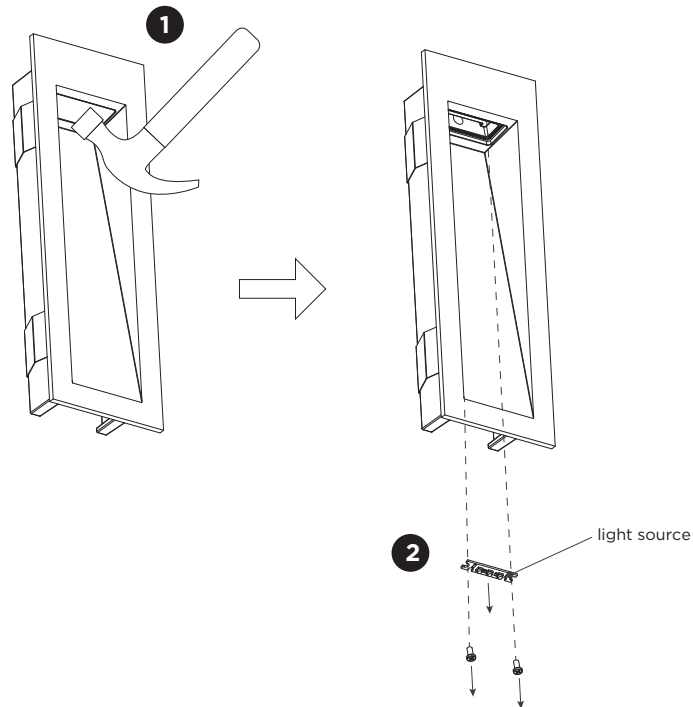
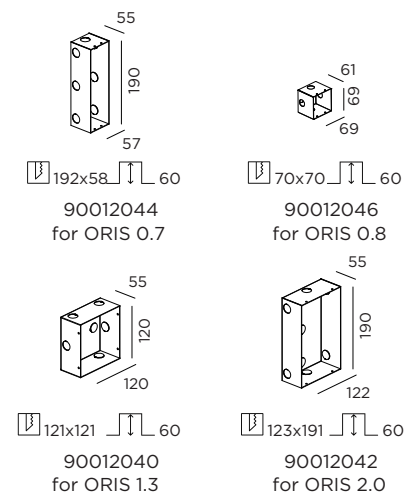


- 3 A - Insert the fixture in the hole.  
B - Insert the fixture in the plasterkit.  
C - Insert the fixture in the concrete housing.

recessed housing incl. plasterkit (optional):



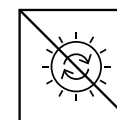
concrete housing (optional):



## DISMOUNTING INSTRUCTIONS

### Light source

- 1 Break the lens.
- 2 Unscrew the light source, disconnect the wires and remove it.



The light source is not replaceable.



This luminaire contains a light source with the energy class G.