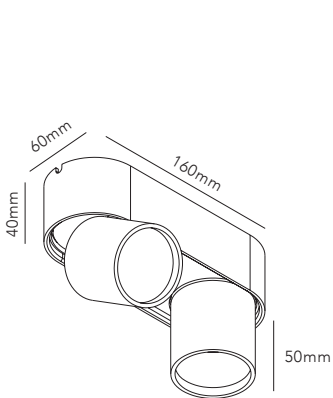


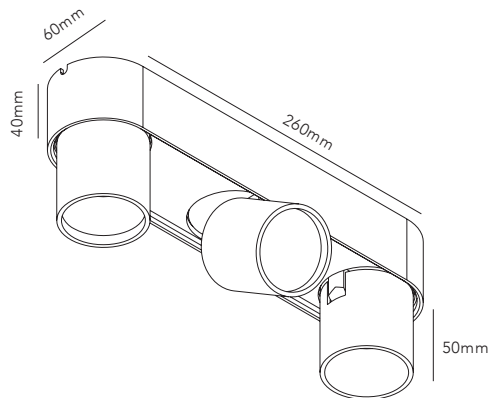


AURA CEILING

Design: Nital Patel



AURA C2



AURA C3

AURA CEILING - 2700/3000K

Design: Nital Patel

LIGHT·POINT
C O P E N H A G E N

ART. NAME	AURA C2	AURA C3	
Art. no. white	270990	270995	-
Art. no. carbon black	270991	270996	-
Art. no. rose gold	270992	270997	-
Art. no. titanium	270993	270998	-
Art. no. brass	270994	270999	-
EAN white	5711389709907	5711389709952	-
EAN carbon black	5711389709914	5711389709969	-
EAN rose gold	5711389709921	5711389709976	-
EAN titanium	5711389709938	5711389709983	-
EAN brass	5711389709945	5711389709990	-
Material	Aluminium	Aluminium	-
Light source	Edison	Edison	-
Lifetime	50.000	50.000	-
Number of light sources	2	3	-
Electronical gear	N/A	N/A	-
Driver watt	N/A	N/A	-
Light source watt	2x7	3x7	-
System watt	14	21	-
Voltage	220-240V	220-240V	-
Dimmable	Yes	Yes	-
Lumen output	1540 (nominal)	2310 (nominal)	-
Lumen pr. watt	110	110	-
Flux	N/A	N/A	-
CCT (K)	2700/3000	2700/3000	-
RA/CRI	>90	>90	-
Mac Adam	3	3	-
Light distribution	N/A	N/A	-
Beam angle	24	24	-
Tilt angle	N/A	N/A	-
Cutout mm.	N/A	N/A	-
Rotation	N/A	N/A	-
Looping	N/A	N/A	-