

LAST ORDER FLUTED F3694015

EN

RF29125

CRYSTAL FLUTED BASE



WARNING! When installing and whenever acting on the appliance, ensure that the power supply has been switched off.
For the installation of the spare-part, it is necessary to consult a qualified electrician.

©2021 Flos - All rights reserved - www.flos.com
Flos reserves the right to introduce any changes to its own models, without prior notice.

LAST ORDER FLUTED F3694015

EN

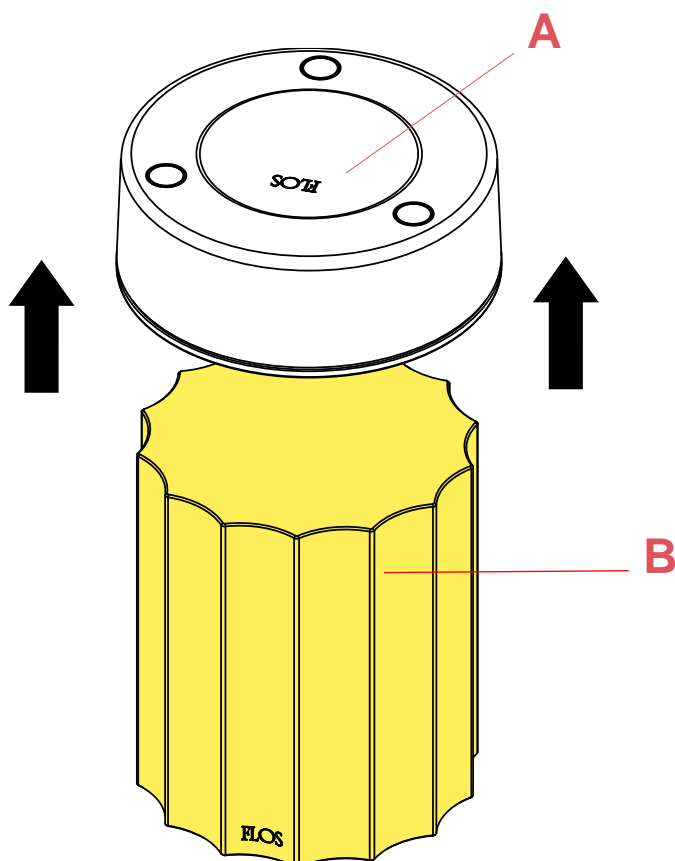
RF29125
CRYSTAL FLUTED BASE

Fig.1

Remove the crystal base (B) from the led body (A).
Assemble now the new spare part.

WARNING! When installing and whenever acting on the appliance, ensure that the power supply has been switched off.
For the installation of the spare-part, it is necessary to consult a qualified electrician.