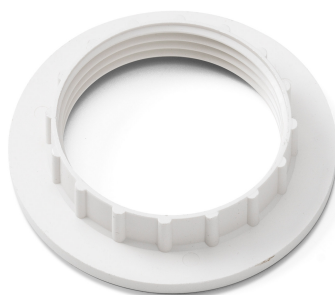


RF30384

Ring Nut Lamp Holder



WARNING! When installing and whenever acting on the appliance, ensure that the power supply has been switched off.
For the installation of the spare-part, it is necessary to consult a qualified electrician.

RF30384

Ring Nut Lamp Holder

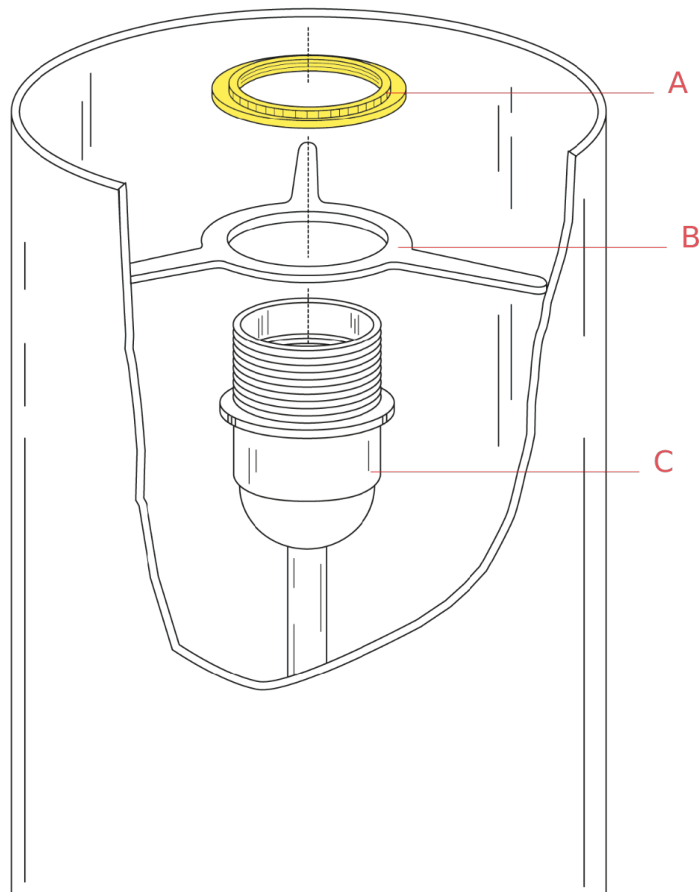


Fig.1

Collacate the spacer (B) onto the upper lamp holder (C) and fasten the ring nut (A).
Install the bulb.

WARNING! When installing and whenever acting on the appliance, ensure that the power supply has been switched off.
For the installation of the spare-part, it is necessary to consult a qualified electrician.