

TOIO LED F7630009

EN

RF7600200
TRANSFORMER

WARNING! When installing and whenever acting on the appliance, ensure that the power supply has been switched off.
For the installation of the spare-part, it is necessary to consult a qualified electrician.

©2021 Flos - All rights reserved - www.flos.com
Flos reserves the right to introduce any changes to its own models, without prior notice.

TOIO LED F7630009

EN

RF7600200

TRANSFORMER

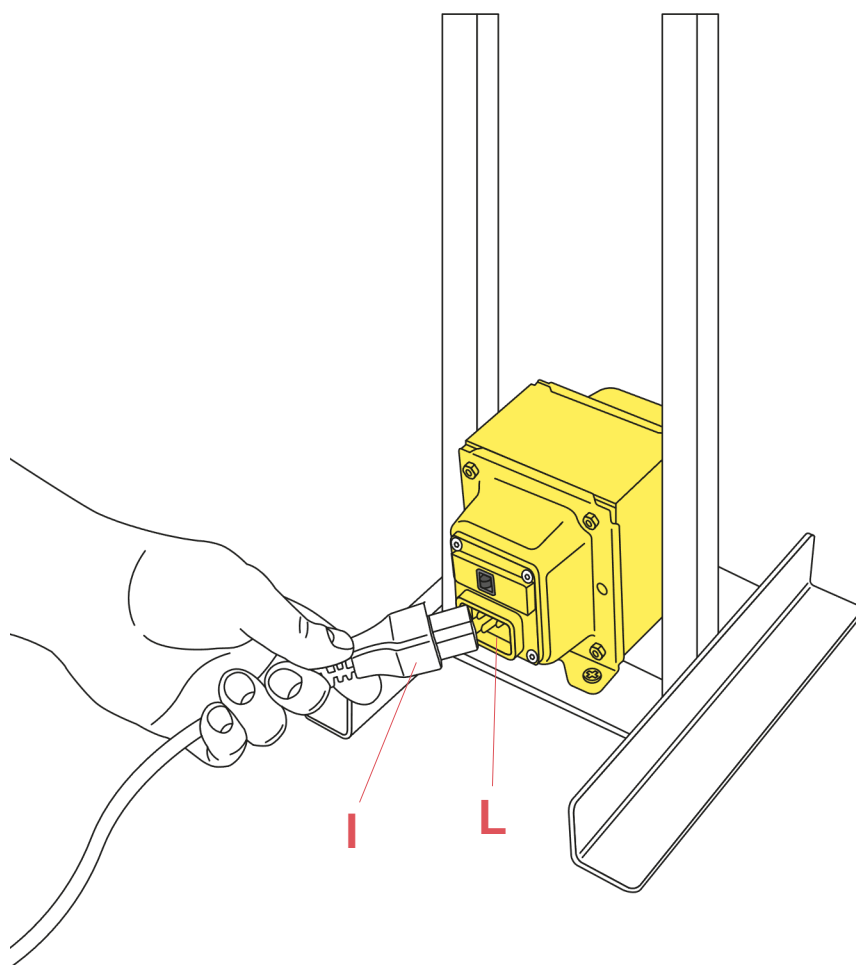


Fig.1

Disconnect the power supply plug (I) from the transformer socket (L).

WARNING! When installing and whenever acting on the appliance, ensure that the power supply has been switched off. For the installation of the spare-part, it is necessary to consult a qualified electrician.

TOIO LED F7630009

EN

RF7600200

TRANSFORMER

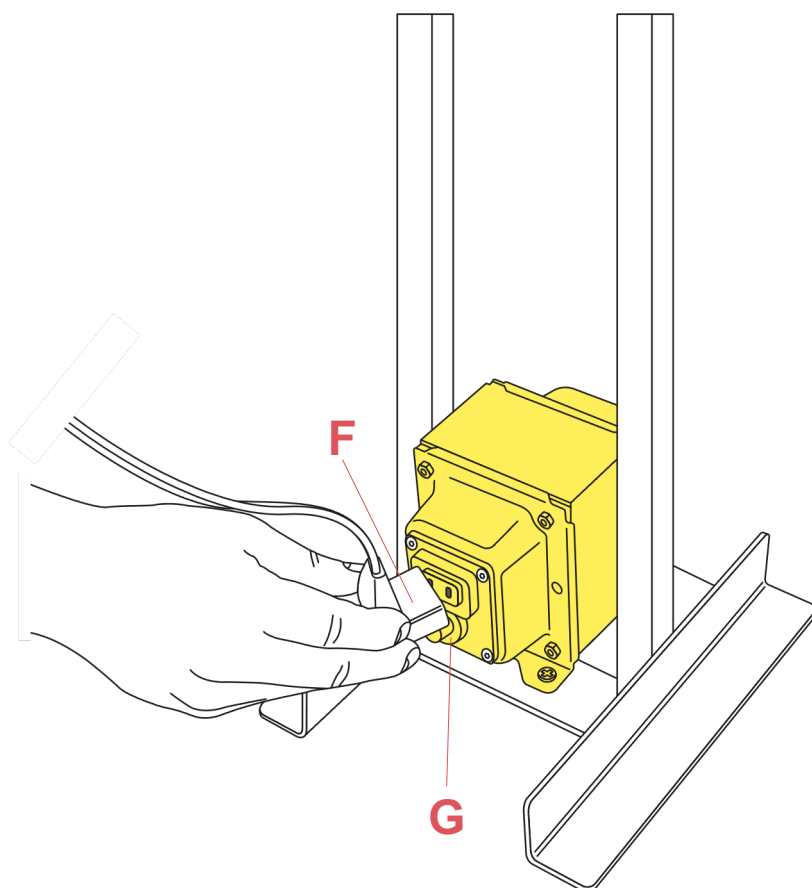


Fig.2

Disconnect the power supply plug (I) from the transformer socket (L).

WARNING! When installing and whenever acting on the appliance, ensure that the power supply has been switched off. For the installation of the spare-part, it is necessary to consult a qualified electrician.

TOIO LED F7630009

EN

RF7600200

TRANSFORMER

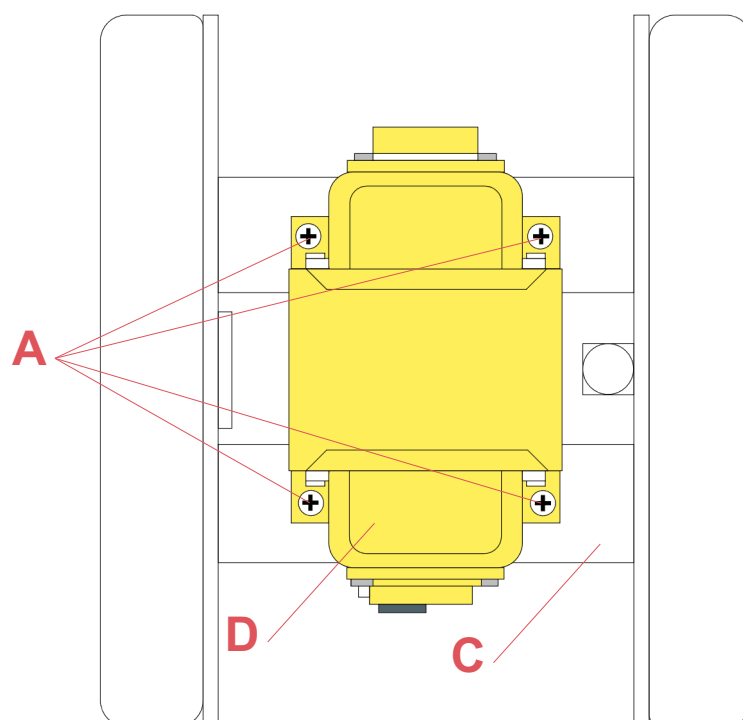


Fig.3

On the lamp base (C), unfasten by utilizing a long type screwdriver (C), the 4 fixing screws (A) with relative washers.

Remove the damaged transformer (D) from the lamp base (C).

Assemble now the new spare-part:

Collocate the new transformer (D) on the lamp base (C) and then fasten the 4 screws (A) with there apposite washers.

Connect the plug (F) to the socket (G) of the transformer.(Fig.2 page 21)

Connect the plug (I) to the socket (L).(Fig.1 page 20)

WARNING! When installing and whenever acting on the appliance, ensure that the power supply has been switched off.
For the installation of the spare-part, it is necessary to consult a qualified electrician.