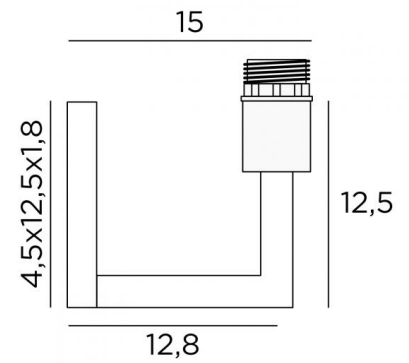




## MESSENGER



MESSENGER in brushed bronze with a KERMA structure in black epoxy and a decorative gold bulb Ø125mm



Wall lamp with fixing ring for a KERMA structure with decorative bulb

It can be installed in the other direction and/or presented with a traditional lampshade

Also available in a model for a single bulb, see [MESSENGER L](#)

### OVERALL SIZES

H30cm L15cm |→20,5cm

### BASE

4,5 x 12,5 x 1,8cm

### TECHNICAL DATA

One E27 fitting with ring

Dimmable wall lamp

**LED bulb Gold Ø95mm** dim code 6833 000 (option)

**LED bulb Gold Ø125mm** dim code 6834 000 (option)

A fixing plate for the wall box ([plan in PDF](#))

### AVAILABLE METAL FINISHES AND CODES



28 - Light bronze - 1953 028



29 - Brushed bronze - 1953 029

### METAL STRUCTURES AND CODES

KERMA STRUCTURE : #15 - 15 - 17cm

Code : 4999 002

Code : 4999 025

