

# BALDACHIN

27-Jul.-2016

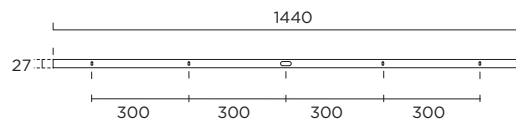
1500MM

CE IP20

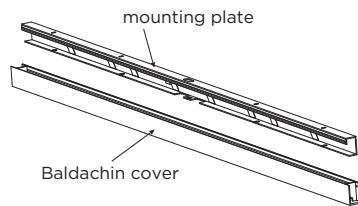
White texture  
Black texture

90052013  
90052014

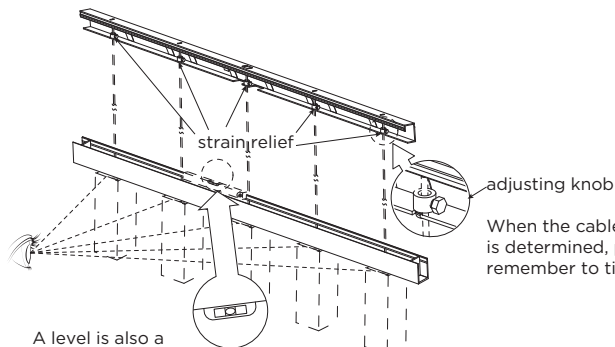
mounting plate dimension:



①



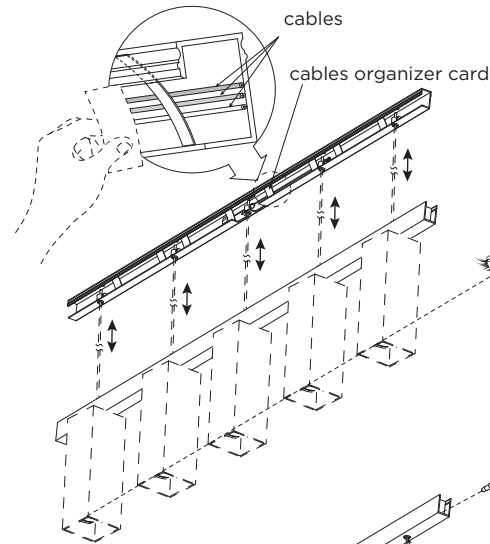
②



A level is also a helpful tool to ensure the hanging of the luminaires at the same height.

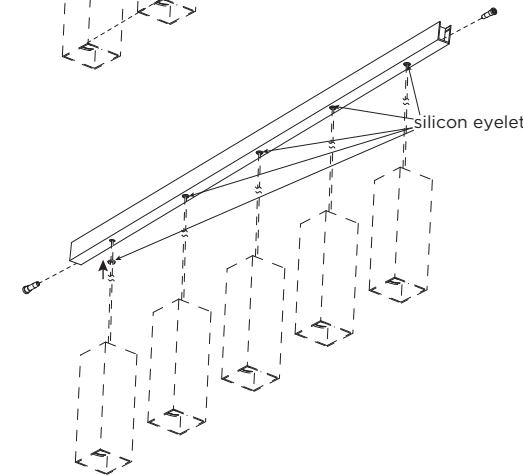
When the cable length is determined, please remember to tighten it.

③

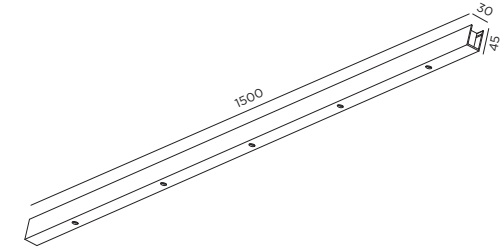


⑤

⑥



## DIMENSIONS

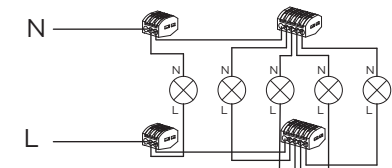


## MOUNTING INSTRUCTION

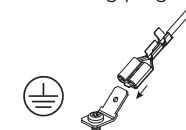
- ① Remove the mounting plate from the baldachin cover.
- ② Adjust the cable of lights to desired length. If you need the lights be horizontal alignment, the baldachin cover can be a helpful judgement tool.
- ③ Fix the mounting plate on the ceiling with screws. If you need to align the orientation of the light, fine-tuning of strain relief direction to achieve adjustment.

## ④ POWER CONNECTION

Connect the power



Baldachin cover earthing plug:



- ⑤ Lock the baldachin cover on the mounting plate with two plastic screws.
- ⑥ Put the silicon eyelets in the cable outlets.



WEVER & DUCRÉ  
LIGHTING

www.weverducre.com

INSTALLATION  
INSTRUCTIONS