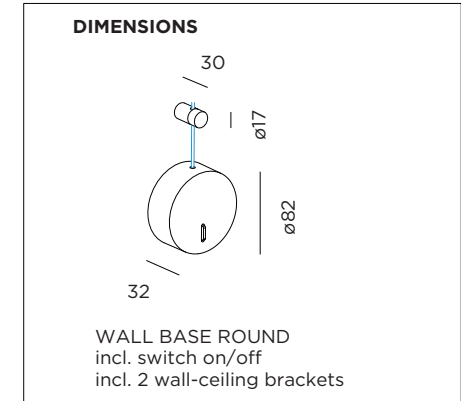
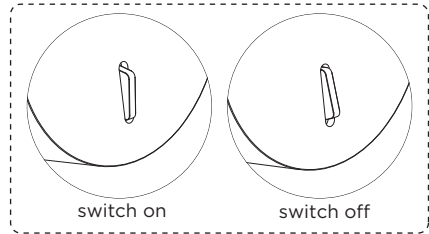
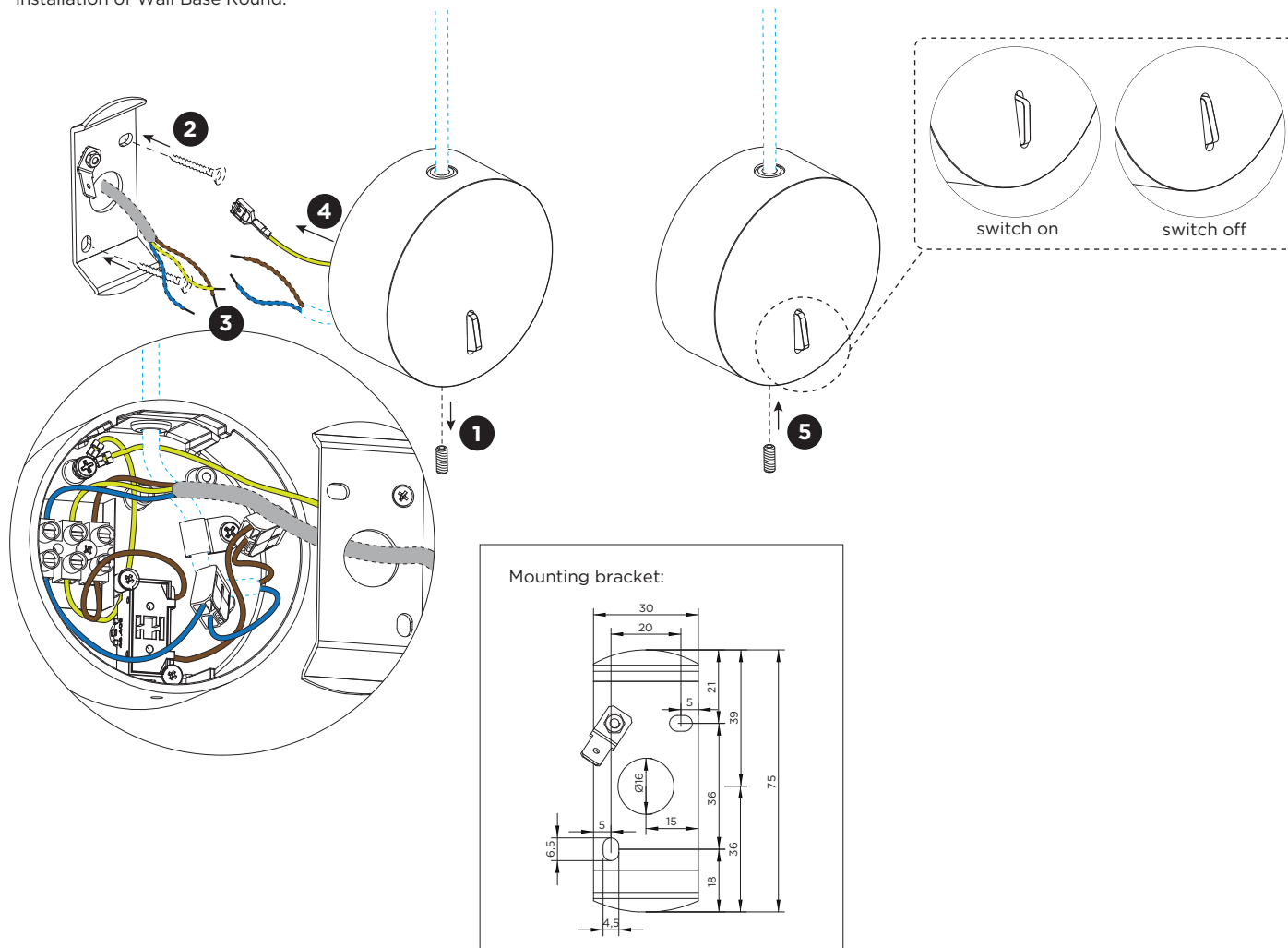


WALL BASE ROUND

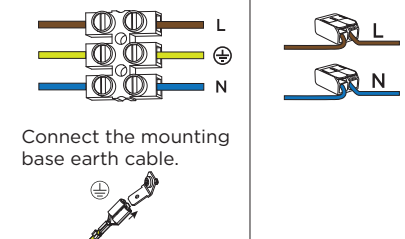
INSTALLATION INSTRUCTIONS | JUNE 2021

installation of Wall Base Round.



MOUNTING INSTRUCTION

- 1** Unscrew the socket screw below and remove the mounting bracket.
- 2** Fix the mounting bracket on the wall with 2 screws (screws are not included).
- 3** POWER CONNECTION
Connect to 220-240V. Connect to luminaire.
- 4** Attach the base to the mounting bracket.
- 5** Screw back the allen screw.



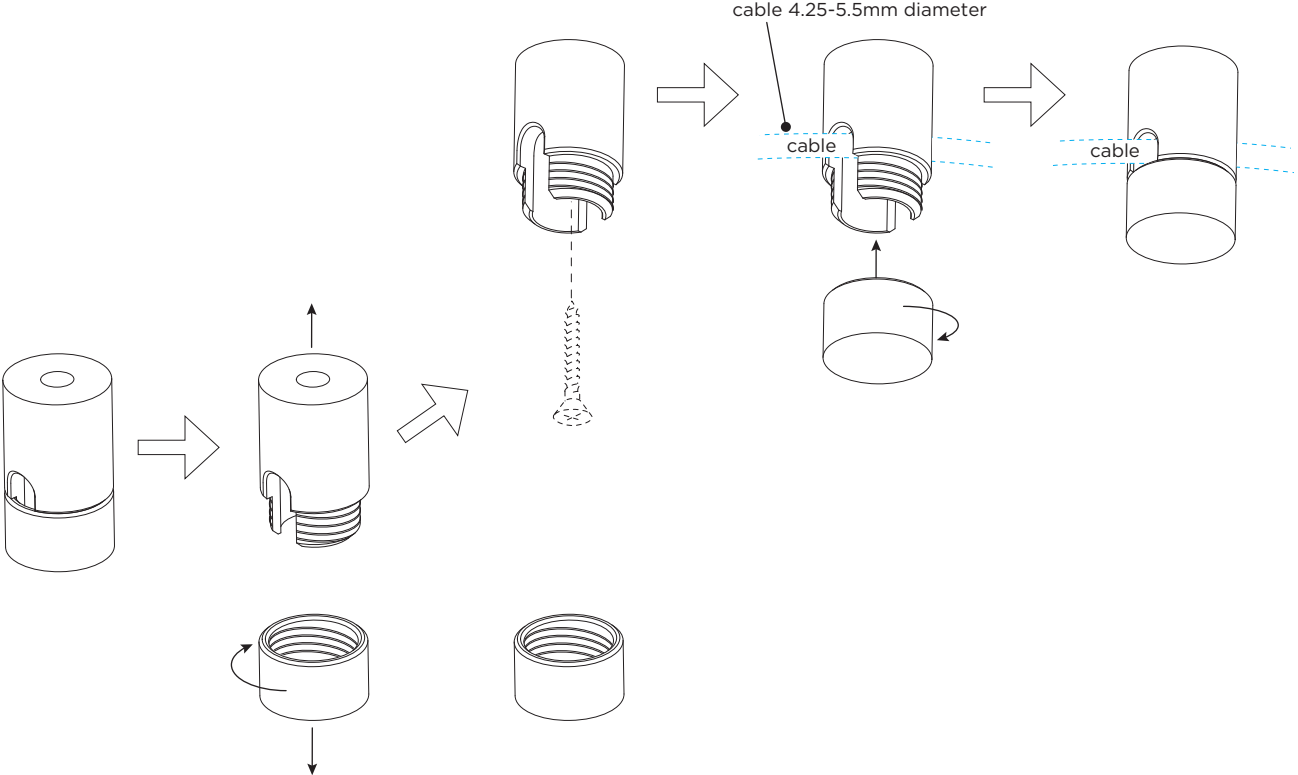
For mounting the wall-ceiling brackets, please see page 2.

PB19-010-739-00_v0

WALL BASE ROUND

INSTALLATION INSTRUCTIONS | JUNE 2021

installation of wall-ceiling brackets



DIMENSIONS

ø17
20
ø5

CABLE WALL
CEILING BRACKET
for cable 4.25-5.5mm diameter