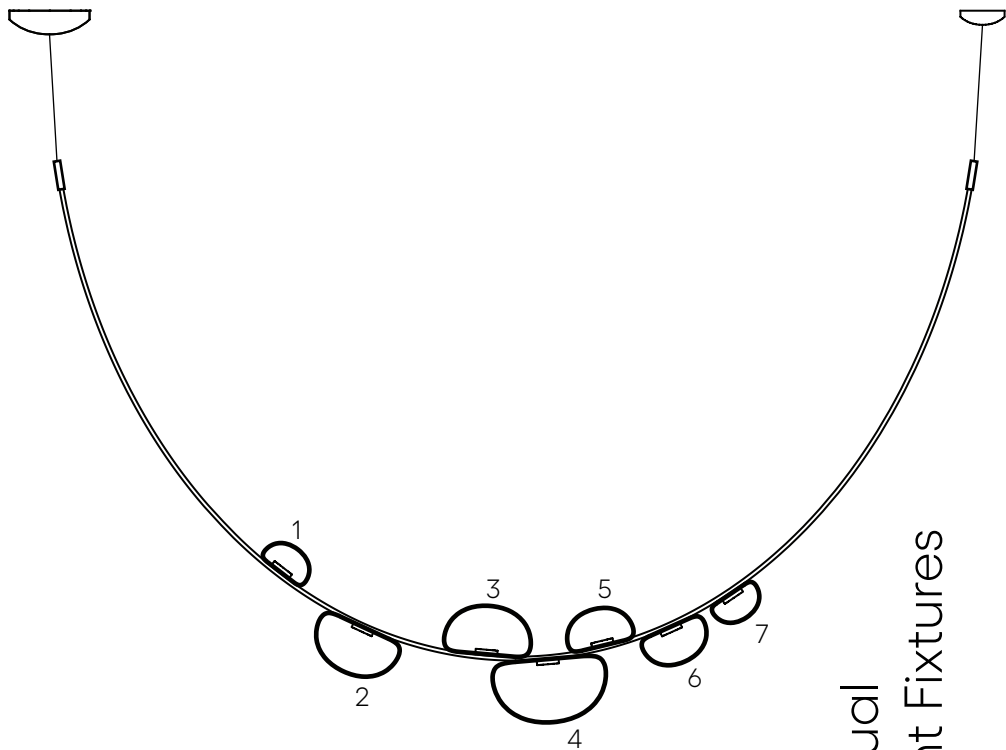


dew drops

Design by Boris Klimek



Installation Manual
for Pendant Light Fixtures
Don't throw away!

loomma

Introduction

- Please, read this user's manual carefully prior to installation and follow its instructions and recommendations.
- The installation of the pendant light requires more than one person.
- For safety reasons, as well as for warranty purposes, it is forbidden to use this product in breach of this manual and other purposes stipulated in this manual.
- Prior to assembly, use an appropriate circuit breaker to turn off electricity.
- All interventions regarding the wiring of the light fixture may only be carried out by a qualified electrician.
- Prevent children or persons with lowered sensory or psychological abilities from handling the light fixture, as it contains small and fragile pieces that could be dangerous when inappropriately handled or ingested.
- The producer bears no liability for damage caused by improper installation.
- The dimensions and weight of glass parts may differ slightly due to manual production.
- All Bomma products are handmade. Any small bubbles, non-melts and inhomogenities in the glass are not a reason for complaint. This is a characteristic feature of this traditional craft.
- The intensity and color of the metallized glass may vary slightly from product to product. Small dots in the plating, visible especially after the fixture is switched on, are not a defect of the product.
- The surface of the mounting may also include minor imperfections due to manual production.
- The pendant light is intended for interior lighting.

Components included in the package

- Glass parts of the light fixture
- Mounting incl. dimmable light sources
- Allen key
- Installation manual
- Maintenance instructions
- Gloves

Technical parameters, specifications

- Voltage input: V_{typ} 10 - 50 V DC, I_{max} 700 mA
- Protection: IP 20
- Input power: 26,5 W (+-5%)
- Weight: \pm 8 kg
- Dimensions: variable
- Light source: LED MCOB (7x) 23,5 W (+-5%)
- Class: II.

Recommended transformer: MAXI JOLLY SV DALI 50

Recommended dimming: DALI, Push dim,

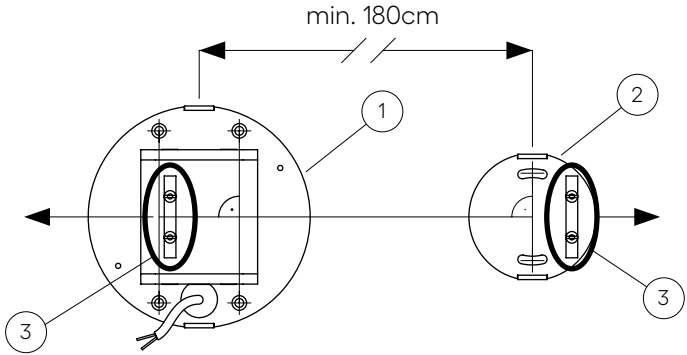
1

Upon opening, first check that there was no damage occurred during transport and that the light fixture is complete. Otherwise, please contact your seller immediately, as later claims may not be considered.

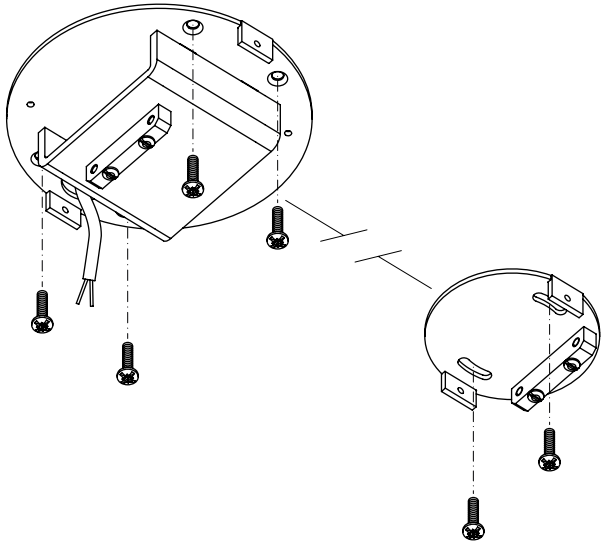
Assemble the lighting fixture according to the manual, recognizing that its installation wiring may only be carried out by a qualified electrician following general legal regulations.

Mark on the ceiling the places for fixing the large (1) and small (2) anchor plate according to Figure A. The recommended distance from the center to the center is 180 cm and more. Thread the large anchor plate onto the supply cable from the ceiling. It is important that the anchor plates are oriented exactly as shown in Figure A. The brackets (3) shall be on the outside. After marking, fix the anchor plates to the ceiling as shown in Figure B using dowels and screws not included in the package. Choose the size and type according to the ceiling material and the weight of the fixture.

Picture A

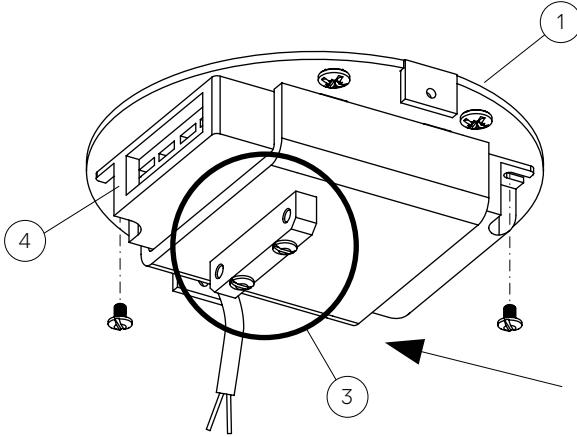


Picture B



2

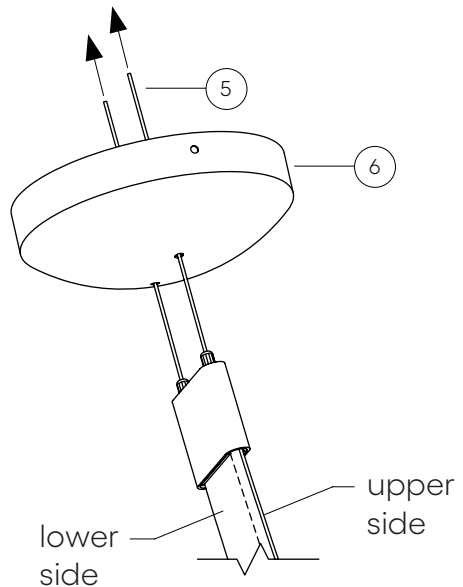
Insert the recommended transformer (4) into the sheet metal "U" on the large anchor plate (1) and fix it with two screws. For subsequent wiring, it is important that the transformer terminal block is on the same side as the bracket (3).



3

Thread a large canopy (6) on the cables (5). After passing the cables through the canopy, the top of the mounting shall be oriented towards the small anchor plate.

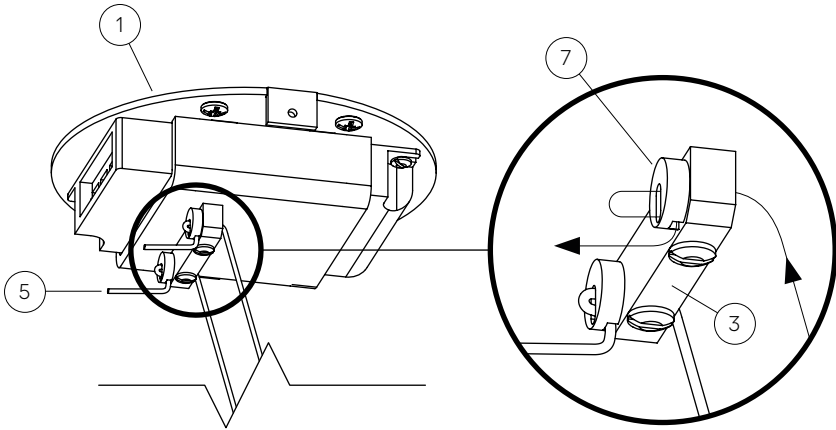
The upper side of the mounting is the one where there are only 3 light sources.



4

Thread the ends of the cables (5) through the plastic components (7) on the bracket (3) as shown.

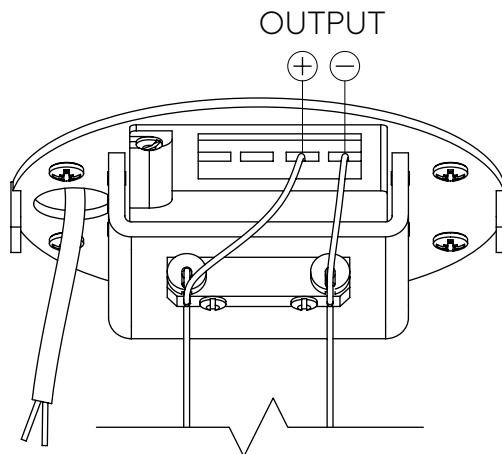
Leave the ends long enough to be connected to the transformer.



5

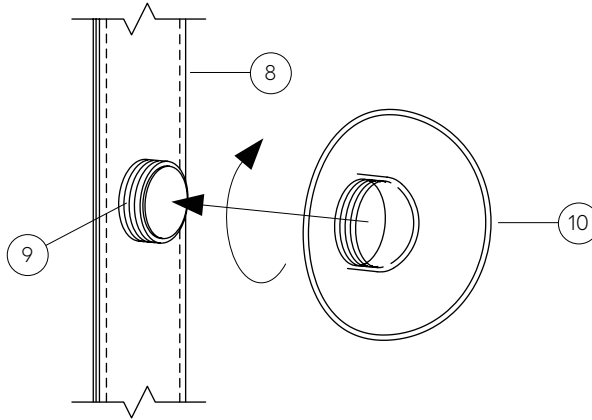
Perform the wiring as shown in the figure.

Use a 12V DC transformer.

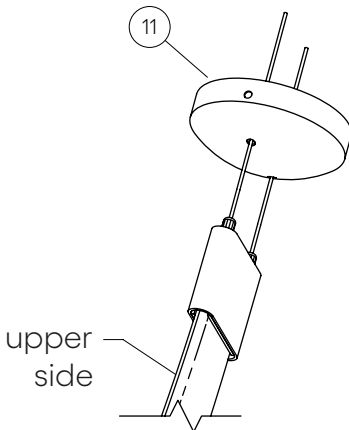


6

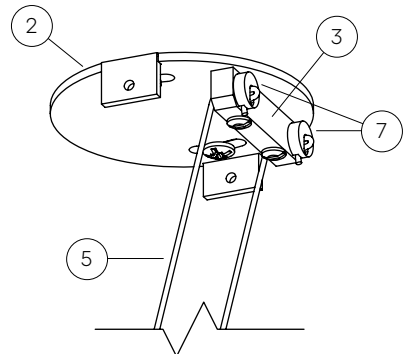
Screw the glass parts ⑩ onto the threads of the light sources ⑨ on the mounting ⑧. You can find inspiration on the first page of this manual for the layout of individual glass sizes.

**7**

At the other end of the mounting, thread the cable ends through the small canopy ⑪. The top of the mounting shall face the large anchor plate.

**8**

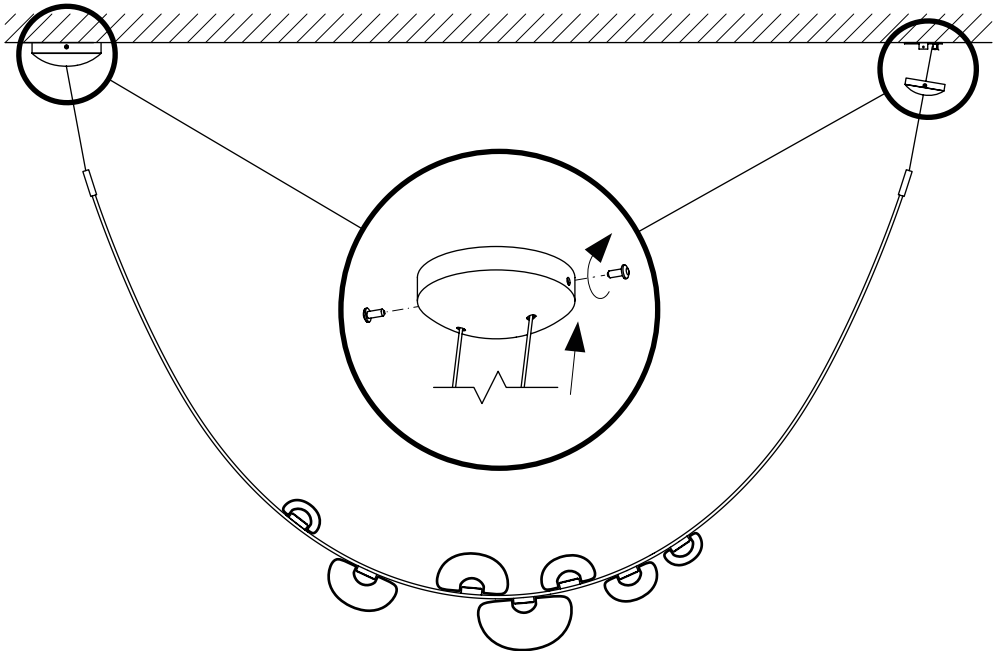
Thread the ends of the cables ⑤ through the plastic components ⑦ non the holder ③ as shown.



Slide the large and small canopy along the cables to the ceiling and fix them to the anchor plates with a pair of screws.

Congratulations! You can now turn on the light.

When disassembling, first switch off the light and disconnect it from the power supply. Proceed in the reverse order of this installation manual. Possible later transport of the light fixture perform in either the original or comparable packaging to prevent damage.



Maintenance

- When unpacking, assembling and cleaning the product, handle the individual parts with extra care, especially the glass parts which are very fragile.
- The assembly and wiring of the luminaire must be carried out by an authorized person.
- The pendant luminaire is intended for indoor use.
- We recommend consulting the suitability of the location and fixing of pendant luminaires to the ceiling material with a project manager, an engineer or other competent person.
- Do not cover the light source or touch the light source when the light is on.
- Do not make any repairs or changes to the components. Contact a specialist service center.
- Do not use any spare parts which have not been supplied or approved by the manufacturer (except for light sources).
- Do not expose the luminaire to an unsuitable environment where it might get damaged (water, heat, frost).
- Before servicing or cleaning pendant luminaires ensure sufficient access (ladder, scaffolding, mounting platform,...) so that you can reach and safely manipulate with the luminaire.
- **Warning:** the luminaire may in some parts have sharp edges which may cause injury. Take extra care when moving in close proximity to them.
- Any cleaning and maintenance should be carried out with the luminaire switched off and preferably disconnected (please mind this warning throughout the installation.)
- When changing a bulb, always disconnect the luminaire from the power supply.
- It is recommended to hang the luminaire at a sufficient height to avoid injury (such as head injury) to persons moving near the luminaire.
- It is recommended to install pendant luminaires in more than one person.
- After installing the luminaire, check that it is correctly and securely fixed to its base.
- Do not expose the luminaire to unreasonable loads, protect the luminaire from mechanical damage.
- The light source heats up during operation. Before starting any operation, wait until the light source cools down spontaneously _do not expose to rapid cooling_.
- Halogen light sources must not come into contact with oily materials, so do not touch them with bare hands. Install them using clean textile gloves or a clean cloth. To clean a halogen bulb, it is best to use alcohol-based products.
- When replacing the bulb, use the same or recommended light source (information about the type is on the label or in the installation instructions).
- Do not hang any other components on the luminaire in conflict with the manufacturer's installation instructions.
- Pay attention to checking all parts before their installation. Damaged components and glass parts _fragmentation, cracks_ can cause bodily injury to persons in their vicinity.
- Contact the manufacturer if a serious problem occurs during cleaning or maintenance of the luminaire.
- Any other manipulation with the luminaire should be carried out by qualified personnel or directly by the manufacturer.

Cleaning

- Any cleaning and maintenance should be carried out with the luminaire switched off and preferably disconnected.
- When cleaning, wear white gloves made of soft cotton cloth. In particular, do not touch the plated crystal without gloves. This will prevent the formation of impressions, loss of luster and color.
- Use a soft duster to clean the metal parts. Metal parts can be cleaned with dry or dampened duster in lukewarm demineralized water. When cleaning the parts, do not under any circumstances use solvents, technical gasoline, technical cleaners, peroxides or alkalis. Avoid alcoholic agents, which could cause the change of surface color.
- Clean the bulb with a soft damp cotton cloth, an anti-static soft-bristled brush or a vacuum cleaner on the low setting.
- Clean the stainless steel surfaces with special products, sold for this purpose.
- To clean the glass parts, use a mild cotton cloth, dry or moistened in lukewarm demineralized water, or a duster. Immediately after cleaning, dry the product completely so that no drops of water remain on the product, and carefully hang it back up.
- Take extra care when cleaning the individual parts of the luminaire that cannot be disconnected. Excessive handling might result in loosening or chipping.
- Do not use a dishwasher to wash any removable parts of the luminaire.

Important notice

- The manufacturer accepts no liability for damage resulting from improper installation, improper handling of the luminaire, including installation combined with accessories other than those recommended by the manufacturer.
- The manufacturer accepts no liability for damage resulting from unprofessional tampering with the fixings and safety features of the luminaire or for damage to the product caused by improper power supply voltage, storage or use of the luminaire in damp environment.
- Do not store the pendant luminaire in a damp environment, near a boiler, trap or other sources of steam. Do not place the luminaire over a bathtub in bathrooms and do not touch the luminaire if you are in contact with water.
- The manufacturer reserves the right to make minor variations in the design of the luminaire without prior notice.

Disposal

Upon the expiration of the product's shelf life, proceed in accordance to legal regulations for environmental protection and public health safety.

Waste Materials Catalog

Number	Category	Name
10 11 11*	N	Waste glass in small particles and glass powder containing heavy metals
10 11 12	O	Waste glass other than those mentioned in 10 11 11
17 04 01	O	Copper, bronze, brass
17 04 05	O	Iron and steel
20 01 01	O	Paper and cardboard
15 01 05	O	Composite packaging


Contact

BMRC GROUP s.r.o.
Hvězdova 1716/2b
140 78 Praha
Czech Republic
+420 569 453 149
info@bomma.cz
www.bomma.cz

Instagram bomma_cz

Facebook bommacz

bomma.cz

drawn by	approved by	revision	date	signature
Karel Jankovský	Ota Svoboda	1	06. 2022	

Control

Date of packaging

step beyond