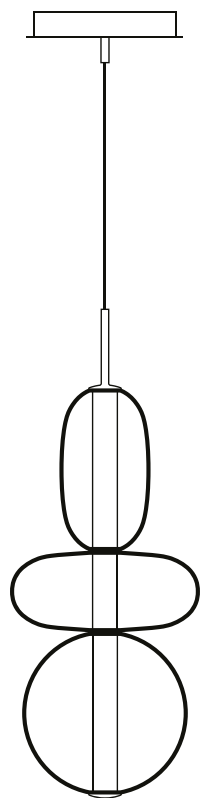


peloles

Design by
Boris Klimek



bomma

bomma.cz

TECHNICAL SHEET

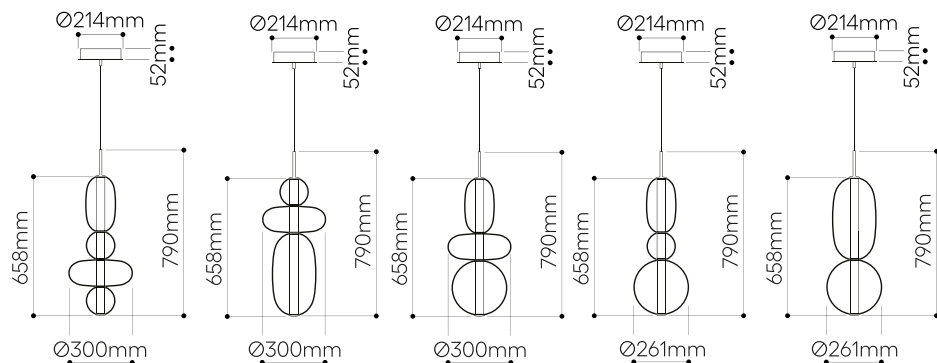
PEBBLES

pendant small

Design by
Boris Klimek

All Bomma products are hand-made from mouth-blown lead-free crystal. Therefore any small bubbles, non-melts and irregularities in the glass are both proof and a characteristic feature of this traditional craft.

The Pebbles Collection is made by underlying colored glass technology. Thanks to the manual process of blowing underlay glass, each piece is an original. Individual products may vary slightly in intensity, hue or even color. This is an accompanying characteristic of the traditional underlay glass technology.



LIGHTING DESCRIPTION

Size	dia 300 mm, H 790 mm dia. 11,8 inch, H 31,1 inch
Cable	black textile braid cable 2,5 m 98,4 inch
Weight	7,5 kg / 16,5 lb
Material	mouth-blown lead-free crystal in black, light grey, white, green and red
Mounting	black matt powder coating
Mounting Materials	aluminium black elox
Mounting Colors	black
Protection	IP 20
Nominal voltage	220-240V / A.C. 50 hz (EU) 110-120 V / A.C. 60 Hz (USA)
Class	I. EU / I. USA

LIGHT SOURCE

Type	LED module 17,9W, 2680 lm, 350 mA, 51V
Base	custom LED module
Voltage	220-240V, AC (EU) / 110-120V, AC (USA)
Temperature	2700 K
Color index	RA 90+
Dimming	Dimmable with TRIAC dimmers

TRANSFORMER

Mean Well PCD-25-350B (EU)
Mean Well PCD-25-350A (USA)

PACKAGING

Material	Cardboard
Size	540 × 540 × 1220 mm 21,3 × 21,3 × 40,1 inch

Origin: traditionally produced in the Czech Republic
Intellectual property license holder: Bomma Czech Republic (EU)
Represented by BMRC group s.r.o.

CERTIFICATES

