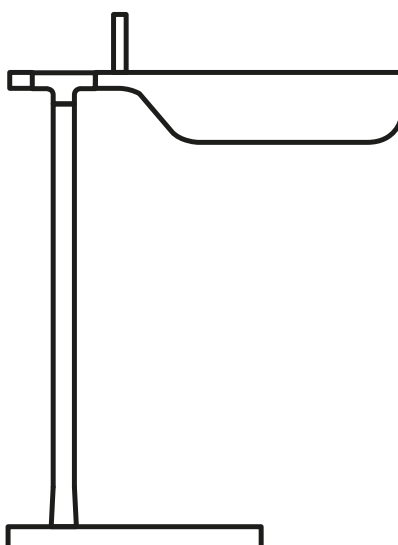


TAB LED T

Designed by E.Barber & J. Osgerby, 2011

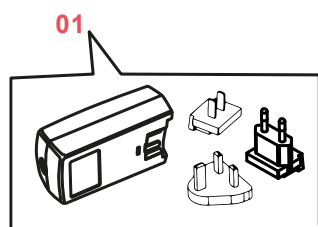
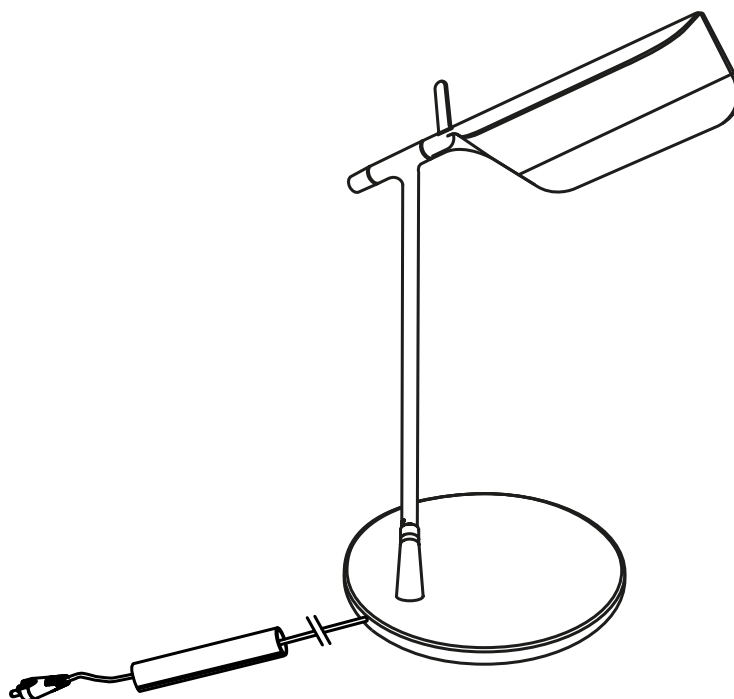
F6563009



TAB LED T

F6563009

EN



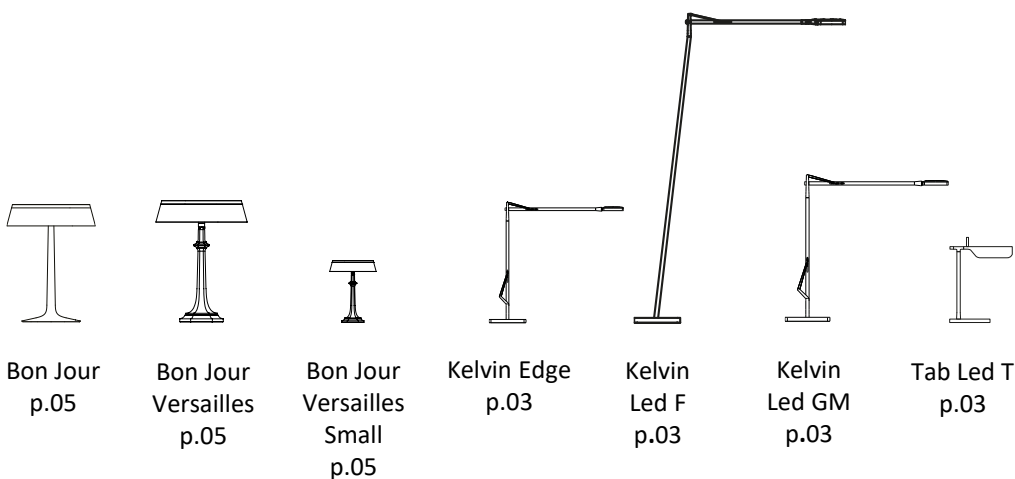
01. RF3320200 – White Plug + kit driver spare part

TAB LED T F6563009

EN

RF3320200

PLUG KIT + DRIVER SPARE PART



Bon Jour
p.05

Bon Jour
Versailles
p.05

Bon Jour
Versailles
Small
p.05

Kelvin Edge
p.03

Kelvin
Led F
p.03

Kelvin
Led GM
p.03

Tab Led T
p.03

WARNING! When installing and whenever acting on the appliance, ensure that the power supply has been switched off. For the installation of the spare-part, it is necessary to consult a qualified electrician.

TAB LED T F6563009

EN

RF3320200

PLUG KIT + DRIVER SPARE PART

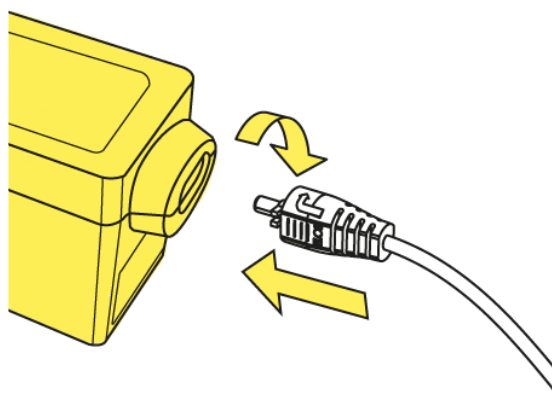


Fig.1

Insert the plug into the driver unit by using the guides snap it inside its apposite slot (use the correct type of plug for the area in which the device must be installed), connect the plug to the feeder unit locking it in by rotating it 90° clockwise.

WARNING! When installing and whenever acting on the appliance, ensure that the power supply has been switched off.
For the installation of the spare-part, it is necessary to consult a qualified electrician.