

# Tangram



Design: Walter Monici, 1992

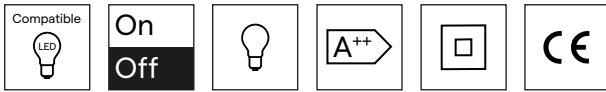


Table lamp in aluminium alloy with a base in steel and aluminium.  
Extensible and totally pivoting arm; diffuser head can rotate by 360°.

## Finishing

Standard

Special



Black soft touch  
cod. 10101ST00



Anodised aluminium  
cod. 1010800



Brushed nickel  
cod.1014400

All RAL coating and galvanic finishes available upon request

## Light emission

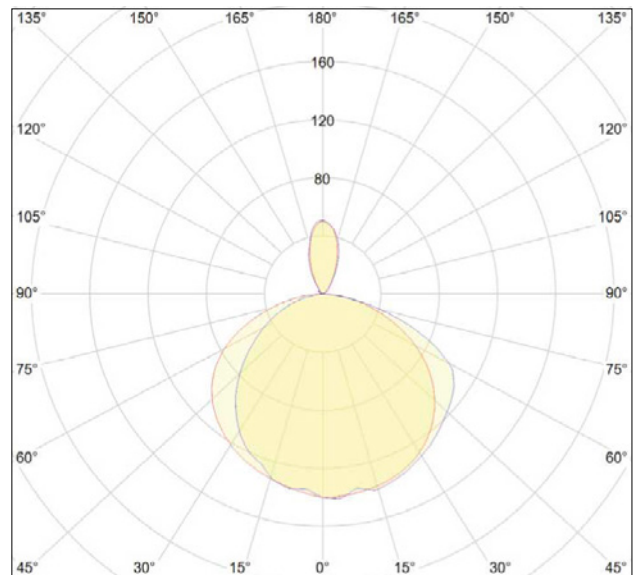
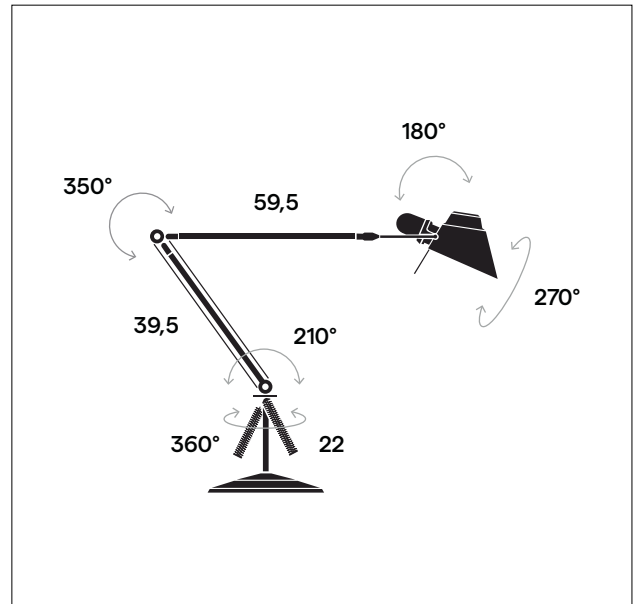
- Light emission: diffuse
- Light direction: downlight
- Light source: MAX 75W HAL - E27 / E26
- Included bulb: 6W LED 2700K - E27

## Electrical Facts

- Power absorption: MAX 75W
- Grid voltage: 100-240 V AC / 50-60 Hz
- Power supply: AC driven
- Dimmability: not dimmable
- Energy class: A++ (with provided LED bulb)

## Technical data

- Environment: indoor
- Placement: table / floor
- Net weight: 0,8 Kg
- Certifications: CE
- Suggested ambient T: 25°C
- Maximum ambient T: 40°C
- Insulation class: II
- Protection class: IP20



Packaging  
cardboard box  
86 x 22 x 22 (cm)  
0,042 m<sup>3</sup>

Gross weight  
1,9 Kg