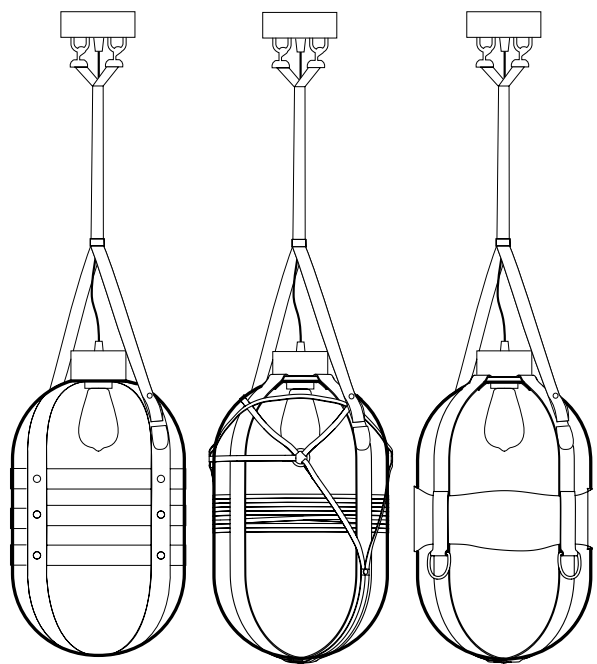


# tied-up romance

Design by  
Kateřina Handlová



bomma

bomma.cz

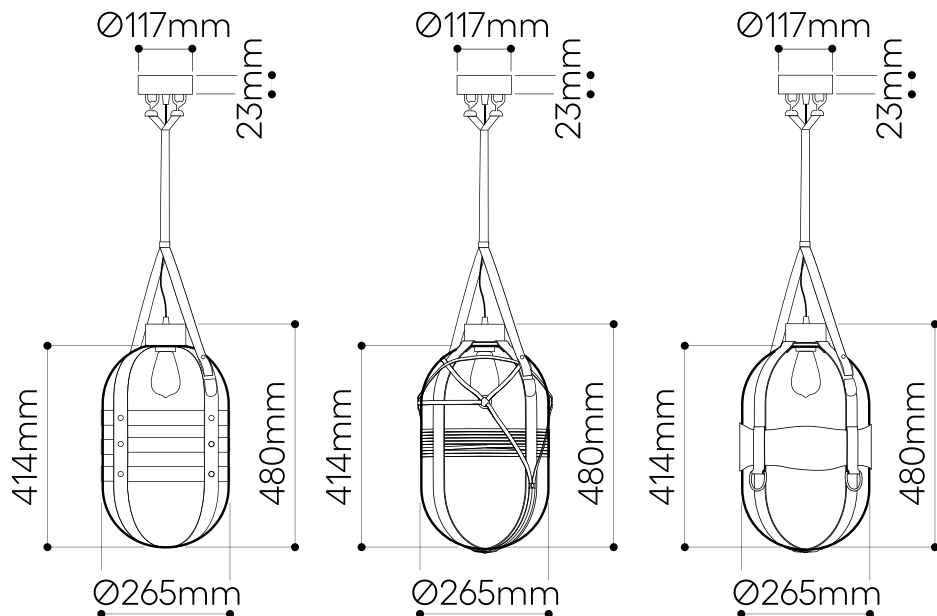
TECHNICAL SHEET

# TIED-UP ROMANCE

## pendant type A, B, C

Design by  
Kateřina Handlová

All Bomma products are hand-made from mouth-blown lead-free crystal. Therefore any small bubbles, non-melts and irregularities in the glass are both proof and a characteristic feature of this traditional craft.



### LIGHTING DESCRIPTION

Size	dia. 265 mm, H 480 mm dia. 10,4 inch, H 18,9 inch
Cable	black or brown textile braid 2,5 m / 98,4 inch
Weigh	6 kg / 13,2 lb
Material	mouth-blown lead-free crystal in clear
Mounting Materials	brass with black powder coating / polished brass
Mounting Colors	black / gold
Protection	IP 20
Nominal voltage	220-240V / A.C. 50 hz (EU) 110-120 V / A.C. 60 Hz (USA)
Class	II. EU / I. USA

### LIGHT SOURCE

Type	ST64, 6W LED, 600 lm (EU)
Base	E27 EU / E26 USA
Voltage	220-240V, AC / 110-120V, AC
Temperature	2700 K
Color index	RA 90+

### Dimming

Dimmable with TRIAC ; on demand dimmable with DALI, RF/WIFI, for information on dimming with other systems please contact your Bomma partner.

### PACKAGING

Material	Cardboard
Size	620 × 320 × 320 mm 24,4 × 12,6 × 12,6 inch

Origin: traditionally produced in the Czech Republic  
Intellectual property license holder: Bomma Czech Republic (EU)  
Represented by BMRC group s.r.o.

CERTIFICATES

