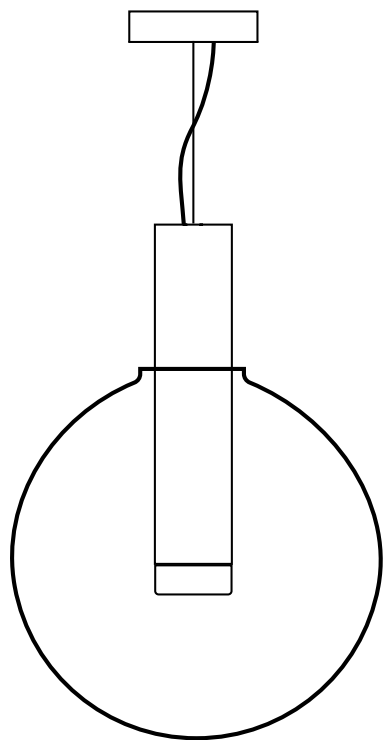


phenomena

Design by
Dechem Studio



bomma

bomma.cz

TECHNICAL SHEET

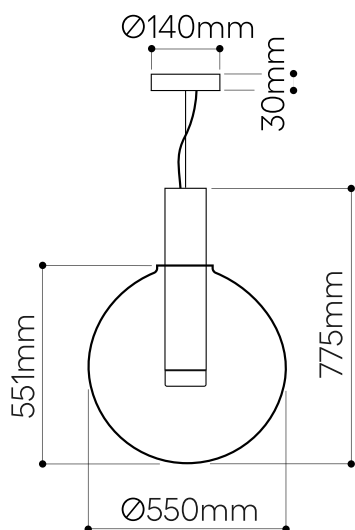
PHENOMENA

pendant large ball

Design by
Dechem Studio

All Bomma products are hand-made from mouth-blown lead-free crystal. Therefore any small bubbles, non-melts and irregularities in the glass are both proof and a characteristic feature of this traditional craft.

The Phenomena Collection is made by underlying colored glass technology. Thanks to the manual process of blowing underlay glass, each piece is an original. Individual products may vary slightly in intensity, hue or even color. This is an accompanying characteristic of the traditional underlay glass technology.



LIGHTING DESCRIPTION

Size	dia. 550 mm, H 775 mm dia. 21,6 inch, H 30,5 inch
Cable	black textile braid 2,5 m / 98,4 inch
Weigh	22,5 kg / 49,5 lb
Material	mouth-blow lead-free crystal in clear, smoke grey and flamingo pink
Mounting Materials	polished or brushed stainless steel / polished or brushed stainless steel with nitride titan coating
Mounting Colors	silver / gold brushed silver / brushed gold
Protection	IP 20
Nominal voltage	220-240V / A.C. 50 hz (EU) 110-120 V / A.C. 60 Hz (USA)
Class	II. EU / I. USA

LIGHT SOURCE

Type	A60 / A19, 6,5W led, 600 lm (EU) A60 / A19, 6W led, 600 lm (USA)
Base	E27 (EU) / E26 (USA)
Voltage	12V, AC
Temperature	2700 K
Color index	RA 90+
Dimming	Dimmable with TRIAC ; on demand dimmable with DALI, RF/WIFI, for information on dimming with other systems please contact your Bomma partner.

PACKAGING

Material	Cardboard
Size	810 × 710 × 710 mm 31,8 × 27,9 × 27,9 inch

Origin: traditionally produced in the Czech Republic
Intellectual property license holder: Bomma Czech Republic (EU)
represented by BMRC group s.r.o.

CERTIFICATES

