

KEPLER PETITE

Arihiro Miyake

Small version of the Kepler lamp only with down light. Suspension lamp in extruded aluminum powder coated. Available versions in white, black and the new gold finish. The continuous line is made through a three-dimensional process of extruded aluminum engineered by Nemo and it is designed based on the geometric principle of the Moebius strip.



DOWNLIGHT 2700K

LAMPING

Source	Linear LED
Total power	55W
Emission	diffused downlight
Switching	dimnable 1-10V
Tension	110/240V
Color temperature	2700K
Luminous flux	1954lm
Typ CRI	85
Materials	aluminium + PC
Notes	adjustable cable length from 2,5m to 0,4m, DALI version on request
Net lamp weight	1,3 kg

Codes

KES LWW 54
KES LNN 54
KES LOW 54

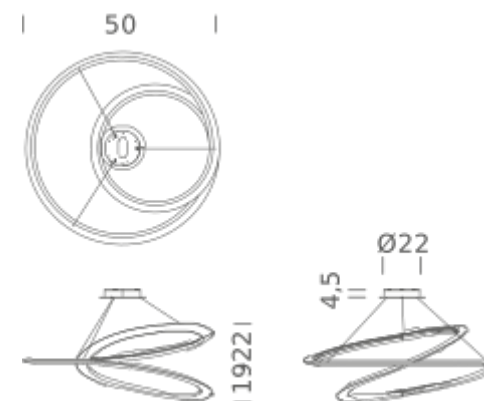
Structure

white
black
gold painted

PACKAGE

Package 01 Dimension: 50x50x22 cm / Gross weight: 3,1 kg

Certificazioni



DOWNLIGHT 3000K

LAMPING

Source	Linear LED
Total power	55W
Emission	diffused downlight
Switching	dimmable 1-10V
Tension	110/240V
Color temperature	3000K
Luminous flux	1954lm
Typ CRI	85
Materials	aluminium + PC
Notes	adjustable cable length from 2,5m to 0,4m, DALI version on request
Net lamp weight	1,3 kg

Codes

KES LWW 52
KES LNN 52
KES LOW 52

Structure

white
black
gold painted

PACKAGE

Package 01 Dimension: 50x50x22 cm / Gross weight: 3,1 kg

Certificazioni

