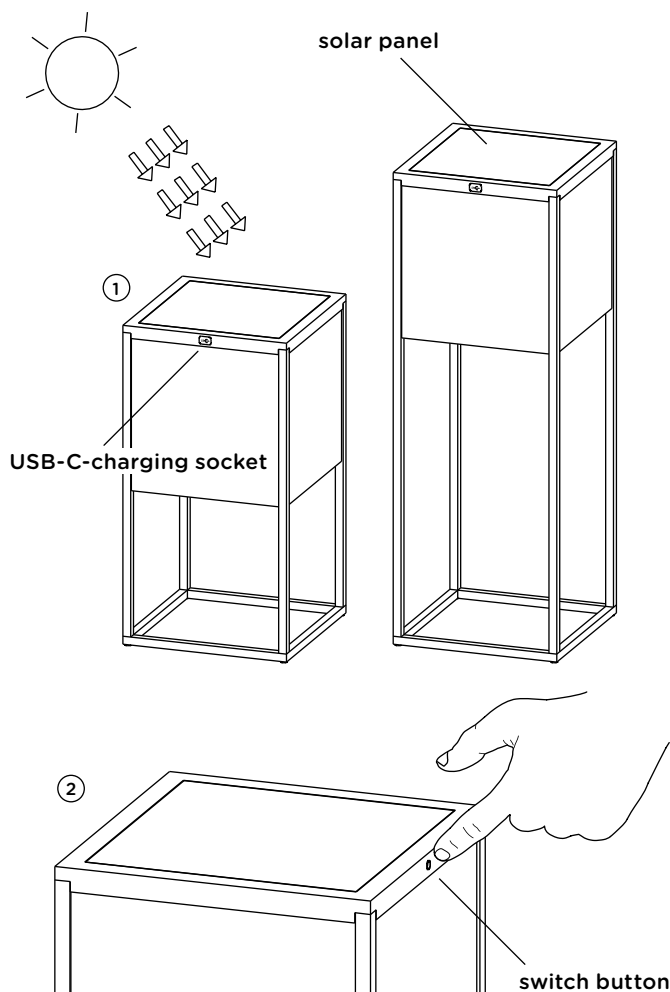


## fil S . fil M





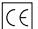
### instructions for use

- Before using the luminaire for the first time, the battery has to be fully charged with the **USB-C-cable**, until the indicator light turns green (100% after approx. 12 hours charging time). The indicator light shines red during the charging process. The charging process has to be made indoors. The protection class IP65 is guaranteed, when the USB-C-charging socket is covered again by the USB-C-cover after the charging process (see picture 1).
- Switching on/off and dimming in stages by operating the switch button (see picture 2):
  - Level 1 -> switching on the luminaire and 25% of the maximum light intensity
  - Level 2 -> 50% of the maximum light intensity
  - Level 3 -> maximum light intensity
  - Level 4 -> switching off the luminaire
- USB-C-charging function:** The charging process has to be made indoors. Remove the USB-cover and plugin the USB-C-cable into the USB-C-charging socket and provide the power supply. The battery will be fully charged after approx. 12 hours charging time. Remove the USB-C-cable, when the indicator light turns green. After the charging process the socket has to be covered again by the USB-cover to guarantee the protection class IP65.
- Solar charging function:** Place the luminaire outdoors in a position exposed to direct sunlight and illuminate the luminaire **constantly by direct sunlight**, so that the battery of the luminaire can be charged (see picture 1). Make sure that the solar panel is free of dirt and deposits to achieve an optimal charging result. To achieve longer operating times we recommend the supportive complete charging of the battery by the USB-C-cable.
- With a fully charged battery the luminaire can be used as follows:
  - approx. 6 hrs. at 100% (level 3)
  - approx. 12 hrs. at 50% (level 2)
  - approx. 24 hrs. at 25% (level 1)



### technical information:

LED/2700K  
 system performance: 5 W/230 lm  
 Lithium Ionen Akku 4x 2600 mAh  
 solar panel  
 alternative power source: 5V DC 1,5A, USB-charger + 2 m  
 USB-C-cable included

-  EEC
-  protection class
-  safety class 3
-  luminaire is suitable for mounting on normal inflammable fixing surfaces.
-  conformity mark

### maintenance:

This luminaire contains built-in LED lamps and a battery. These can be replaced by the producer in case of a failure. In this case, please get in touch with your retailer.

### care:

Regularly clean luminaire from dirt and deposits. Do not use a high pressure cleaner for cleaning. Please note care instructions at [www.IP44.de](http://www.IP44.de).

### safety:

We assume no accountability for damages which are a result of non-appropriate mounting or application of the luminaire. Modifications on the luminaire will result in loss of warranty.

### assembly instruction:

The luminaire may not come into contact with highly acidic or alkaline soils, or with other aggressive substances, chemicals or fertilizers.