

FLOS

F0090009 White

Aim

Designed by Ronan & Erwan Bouroullec, 2013

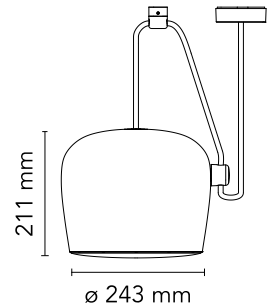


16W - 895lm - 2700K

Suspended light fitting. Body in varnished aluminium sheet, shade in photo-etched optical polycarbonate. Internal reflector in photo-etched ABS. Orientable body. Powered directly from mains. The LED can be dimmed with a «Triac for Led» dimmer approved by Flos. Flos does not respond in case of wrong electrical connection system installations. The cable has a useful length of 9 meters and thus the lamp can be suspended 3 meters from the ceiling. Multiple rose with capacity to connect up to 5 Aims also available.

Are you a professional and your project needs consulting and support?

BOOK AN APPOINTMENT



Main specifications

| | |
|------------------------|---------------------|
| EAN | 8059607013267 |
| Mounting | Suspension |
| Environments | Indoor dry location |
| Light source type | LED |
| Light sources included | Yes |
| LED type | LED Module |
| Power (W) | 16 |
| System flux (lm) | 895 |

Physical

| | |
|-----------------------------|-------|
| Colour | White |
| Length (mm) | 243 |
| Cord colour | White |
| Cord length (mm) | 9000 |
| Canopy colour | White |
| Canopy length/diameter (mm) | 80 |
| Canopy height (mm) | 23 |
| Net weight (kg) | 3.2 |
| Package height (mm) | 375 |
| Package width (mm) | 300 |
| Package length (mm) | 300 |
| Package volume (m3) | 0.03 |
| IP internal | 20 |

Download

Mounting instructions [↓ PDF](#)

Compatible dimmers [↓ PDF](#)

Photometric Files

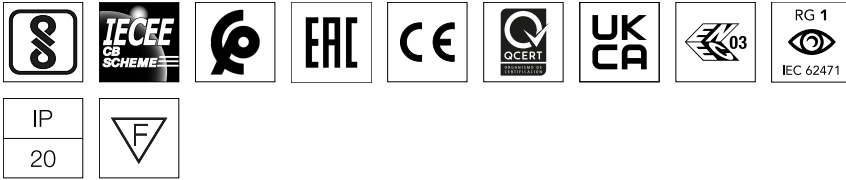
LDT / IES [↓ LDT](#)

Technical Drawings

2D [↓ ZIP](#)

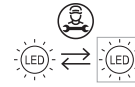
3D [↓ ZIP](#)

 Bim [↓ ZIP](#)



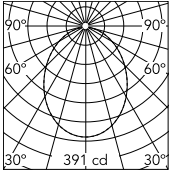
Ecodesign and Energy Labelling

This product contains a light source of energy efficiency class F



Replaceable (LED only) light source by a professional

Schematic light drawing



Luminous flux luminaire
895 lm

Photometric

| | |
|--------------------|----------------|
| Light distribution | Roto symmetric |
| CCT (K) | 2700 |
| Extreme cut off | No |

Electrical

| | |
|--------------------|---------------------------------------|
| Insulation class | II |
| Frequency (Hz) | 50/60 |
| Main voltage (Vac) | 220-240 |
| Power supply | Integrated |
| Dimmable | Yes |
| Power supply type | Mains Cut Dimming |
| Dimming interface | Remote Dimmable (Dimmer Not Included) |
| Batteries inside | No |

Accessories & Power Supply



OPTIONAL

RF22227

Aim Dimmer

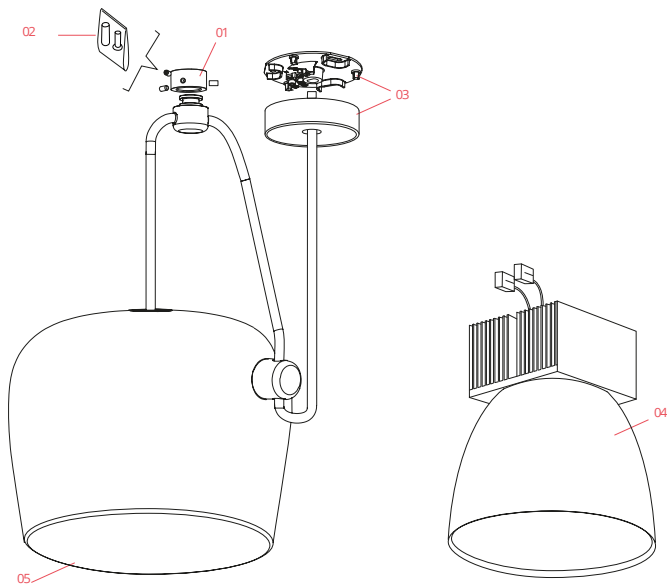


OPTIONAL

F0093009

Aim Multiple Canopy

Spare Parts



- | | | |
|-----|--|-----------|
| 01. | Ceiling attachment assembly | RF0090109 |
| 02. | Kit of quantity 3 m4 screws | RF06749 |
| 03. | White ceiling rose assembly | RF0090209 |
| 04. | Aim Heatsink, 2700K Led Module & Reflector Assembly | RF0090700 |
| 05. | Aim opal diffuser | RF0090600 |



RF0090109
Ceiling attachment assembly



RF06749
Kit of quantity 3 m4 screws



RF0090209
White ceiling rose assembly



RF0090700
Aim Heatsink, 2700K Led Module
& Reflector Assembly



RF0090600
Aim opal diffuser