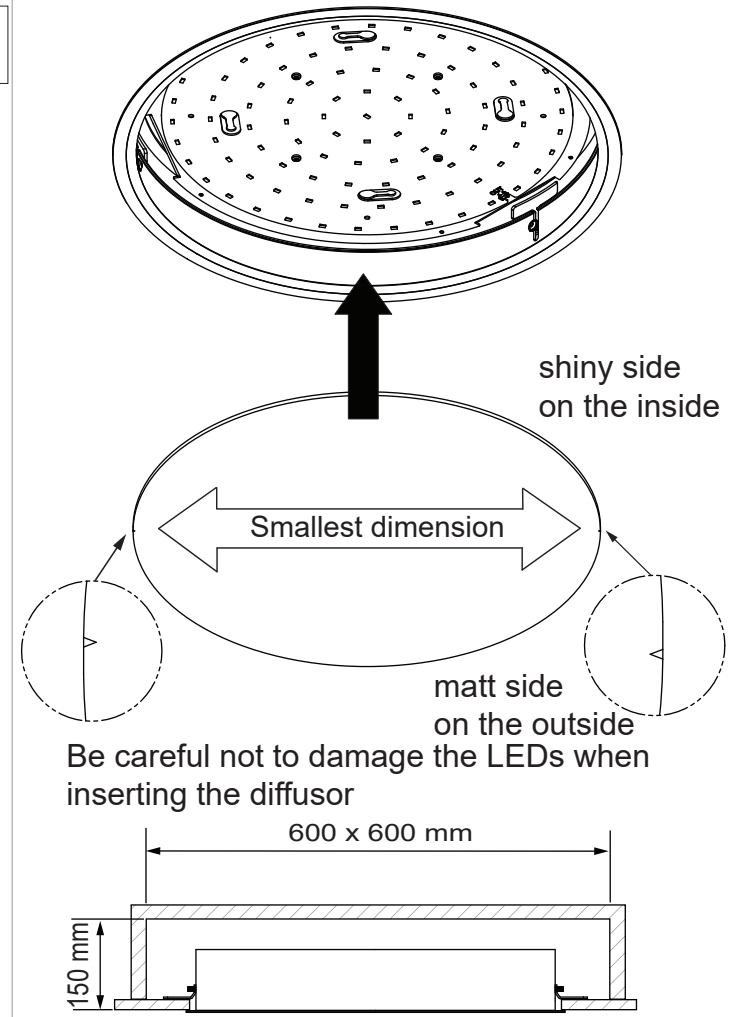
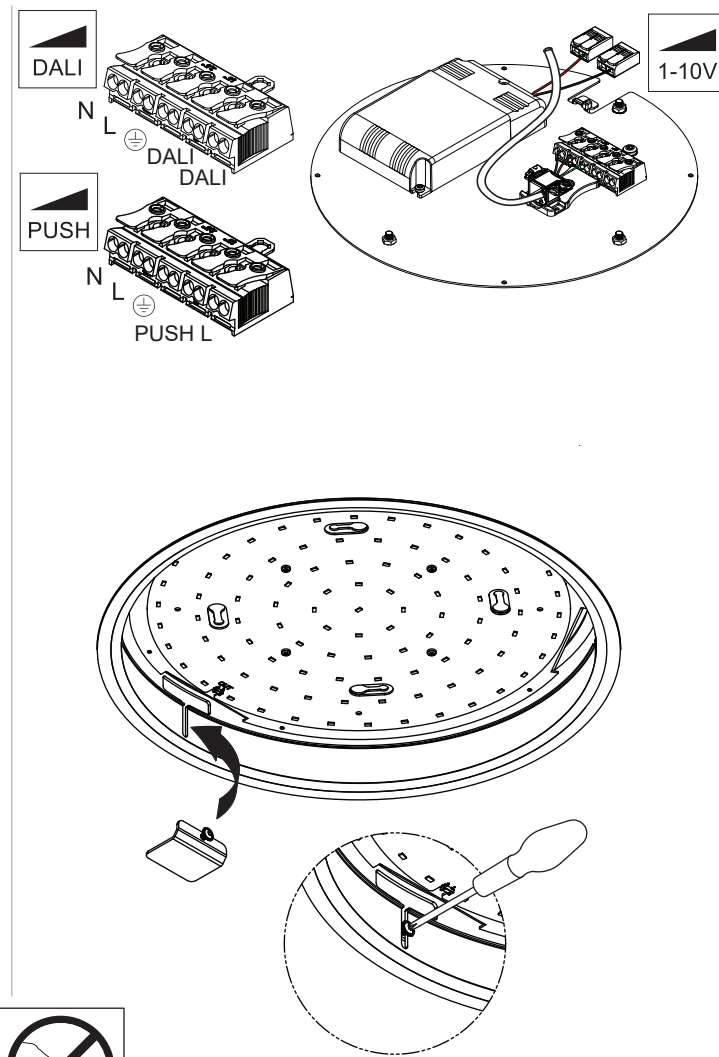
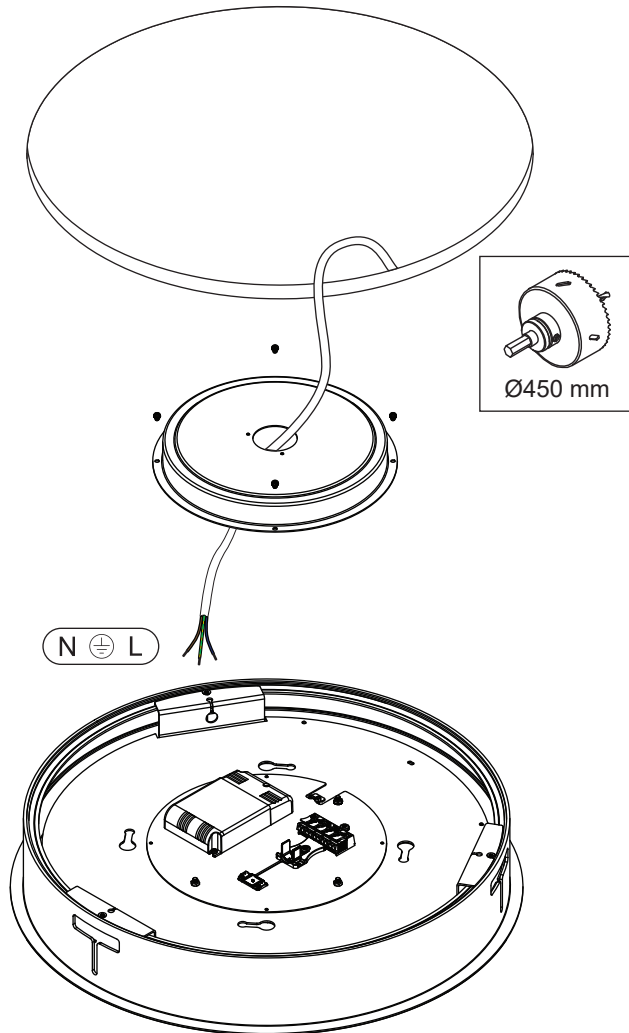


Flat moon recessed 470 LED

132800XX_132801XX_132802XX_132803XX_132804XX_132805XX

Scan for installation video or go to supermodular.com/en/flat-moon/



Replace protective shield when broken. The luminaire shall only be used complete with its protective shield. Reference number: 1012134

The light source contained in this luminaire shall only be replaced by the manufacturer or his service agent or a similar qualified person

CAN BE USED WITH
 13289000 FlatMn prismatic diffuser 450/470
 13289100 FlatMn ice prismatic diffuser 450/470

220-230V 50-60Hz

⊕

1-10V

PUSH

DALI

↑

IP 20

NO UV / IR

CE