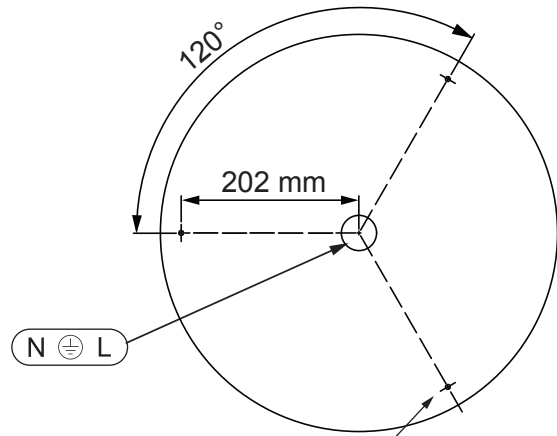
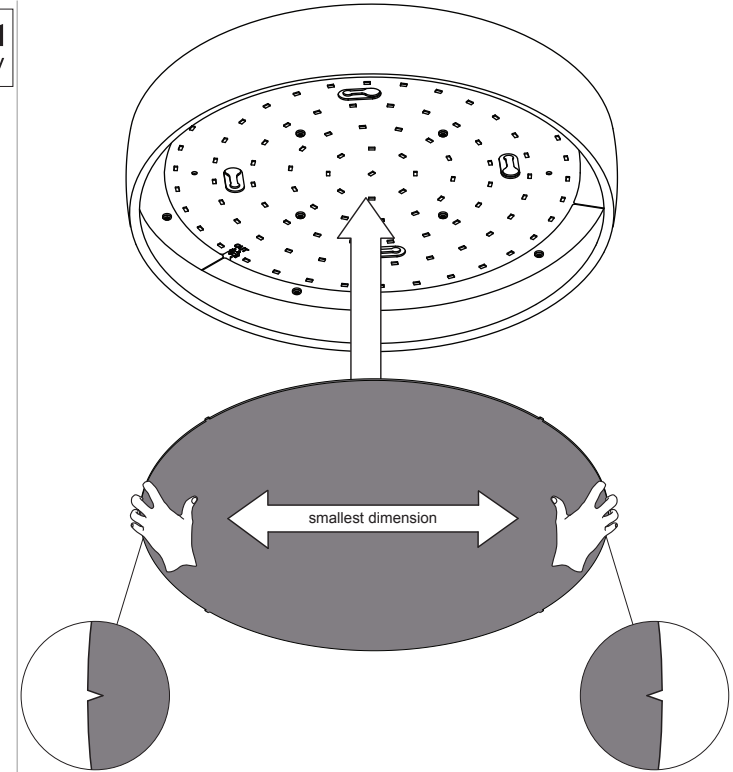
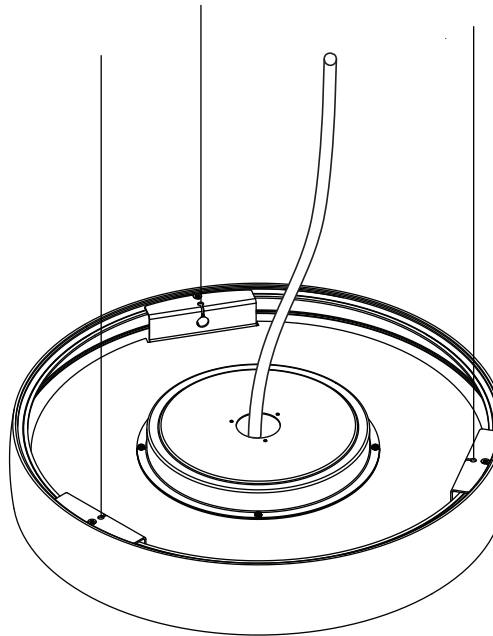
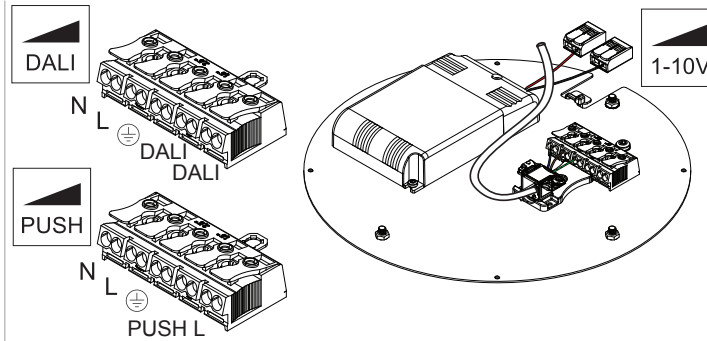
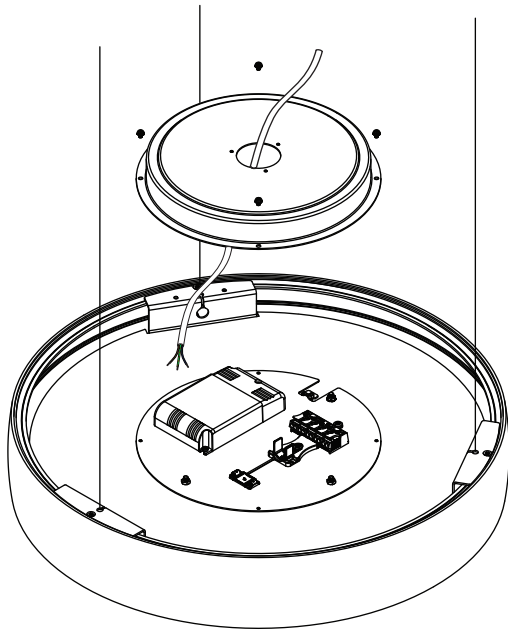


Flat moon suspension 450 down LED

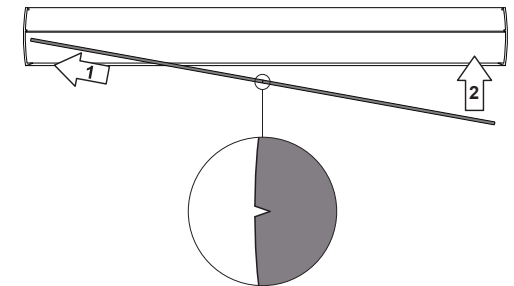
133000XX_133001XX_133002XX_133003XX_133004XX_133005XX



SUSPENSION HOLES (3 cables)



Be careful not to damage the LEDs when inserting the diffuser.



Replace protective shield when broken. The luminaire shall only be used complete with its protective shield. Reference number: 1012134



The light source contained in this luminaire shall only be replaced by the manufacturer or his service agent or a similar qualified person

220-230V 50-60Hz 1-10V PUSH DALI ↑ IP 20 NO UV / IR CE