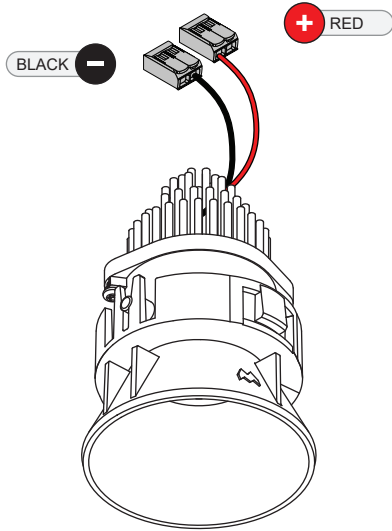


TETRIX Oblique 62 LED GE

135120XX_135121XX_135122XX_135123XX_135124XX_135125XX

TETRIX Oblique 62



ELECTRICAL SPECS LED-FIXTURE

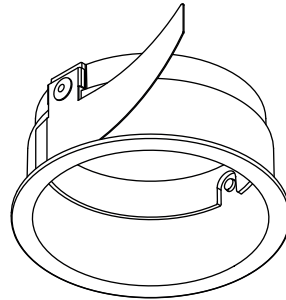
Drive Current (mA)	Forward Voltage		Power (W)
	min (Vf)	max (Vf)	
350	13,2	15,0	5,0
500	13,7	15,4	7,2

⊕ RED ⊖ BLACK

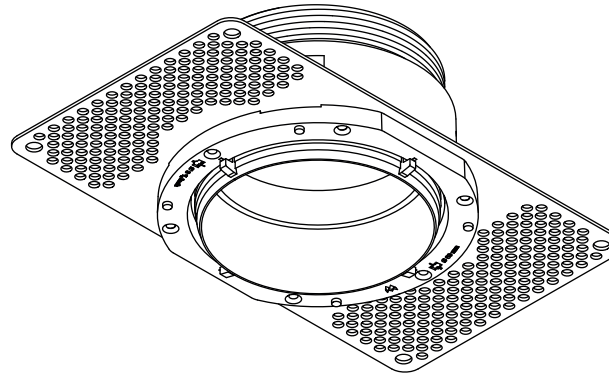
For serial connection, respect polarity!
Not suited for connection to mains voltage.
Combine with a Modular LED-driver.

SHOULD BE USED WITH

TETRIX frame round 74
135100XX



TRIMLESS RING Ø62
13515430

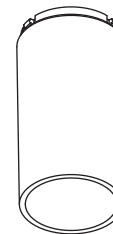


OPTICAL ACCESSORIES

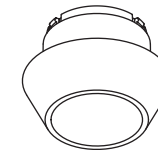
HONEYCOMB Ø33
13515132



SNOOT Ø32
13515032



LC Ø44
13515232



LIGHT SOURCE - DO NOT TOUCH LED

Touching the LED can result in permanent damage of the light source. The light source contained in this luminaire shall only be replaced by the manufacturer or his service agent or a similar qualified person.



PREVENTING ELECTROSTATIC DAMAGE

A discharge of static electricity may damage sensitive components. Always be properly grounded when touching leads or circuitry inside the luminaire. Use a wrist strap connected by a ground cord to the housing. Avoid touching the light sources with bare hands.

DRIVERS & ACCESSORIES

For latest version of driver matrix and available accessories check www.supermodular.com or connect with your sales contact.