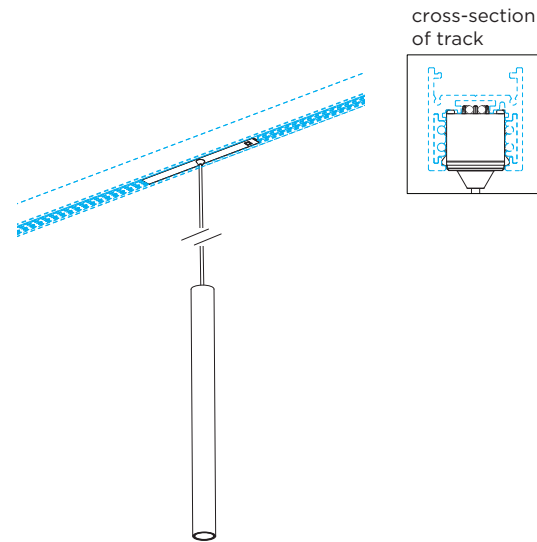
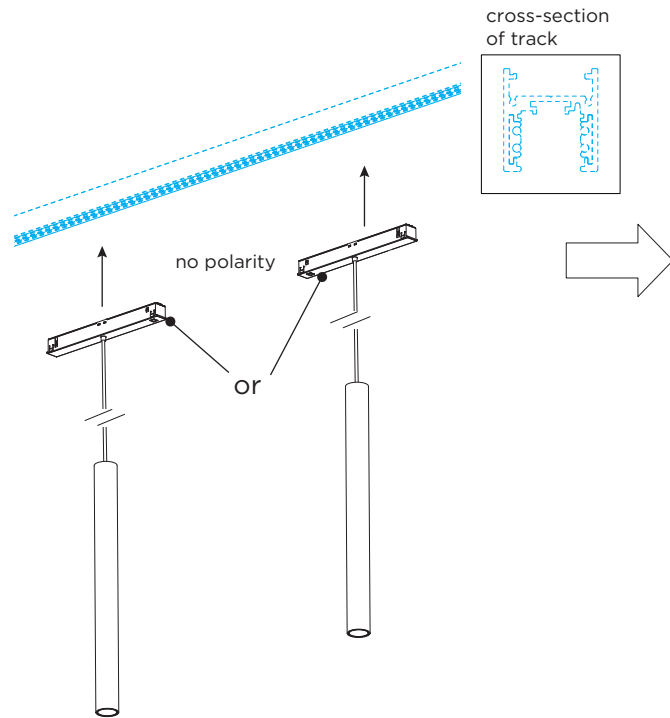
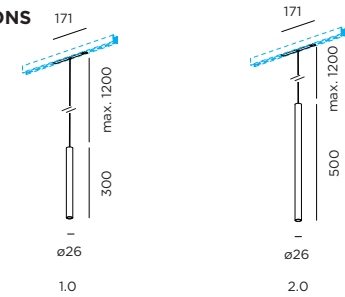


STUBE on track

INSTALLATION INSTRUCTIONS | DECEMBER 2022



DIMENSIONS

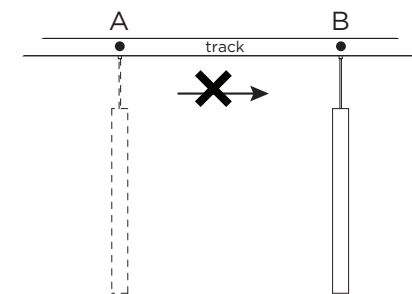
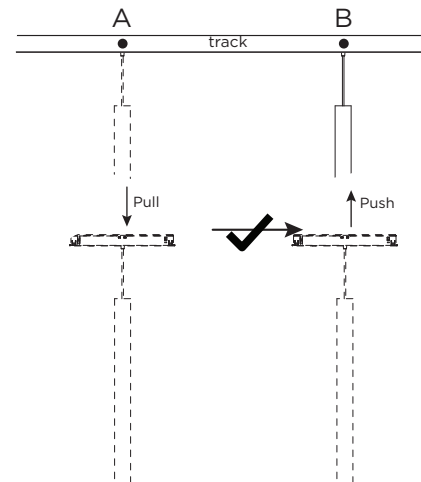


MOUNTING INSTRUCTION

- 1 Push the fixture into the track at the preferred location.



Note: the fixture is not allowed to slide in the track. If you want to change location of the fixture in the track, please pull the fixture out of the track and install it on the correct position.



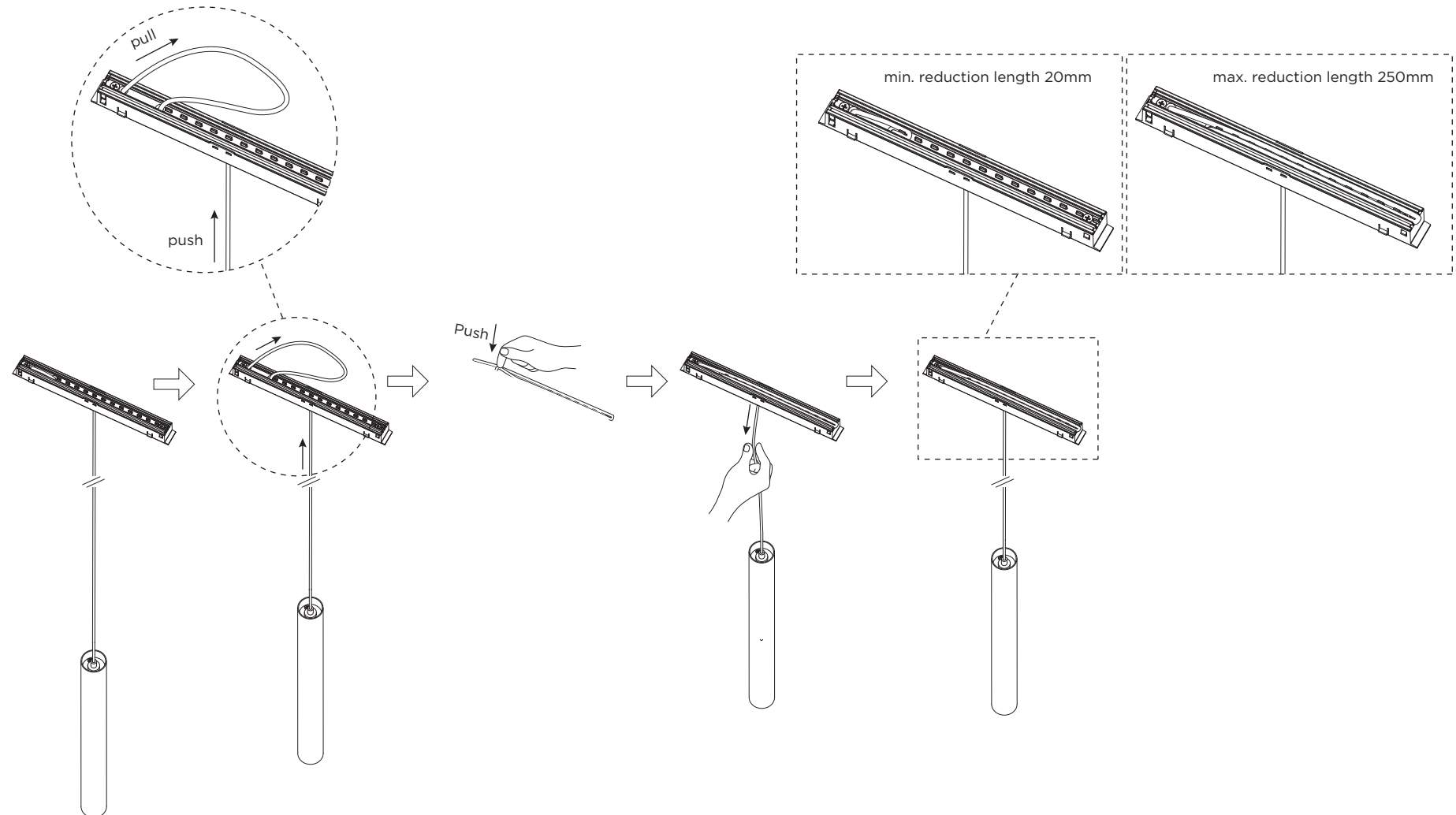
See page 2 for how to shorten the cable.

PB19-010-743-00_v3

STUBE on track

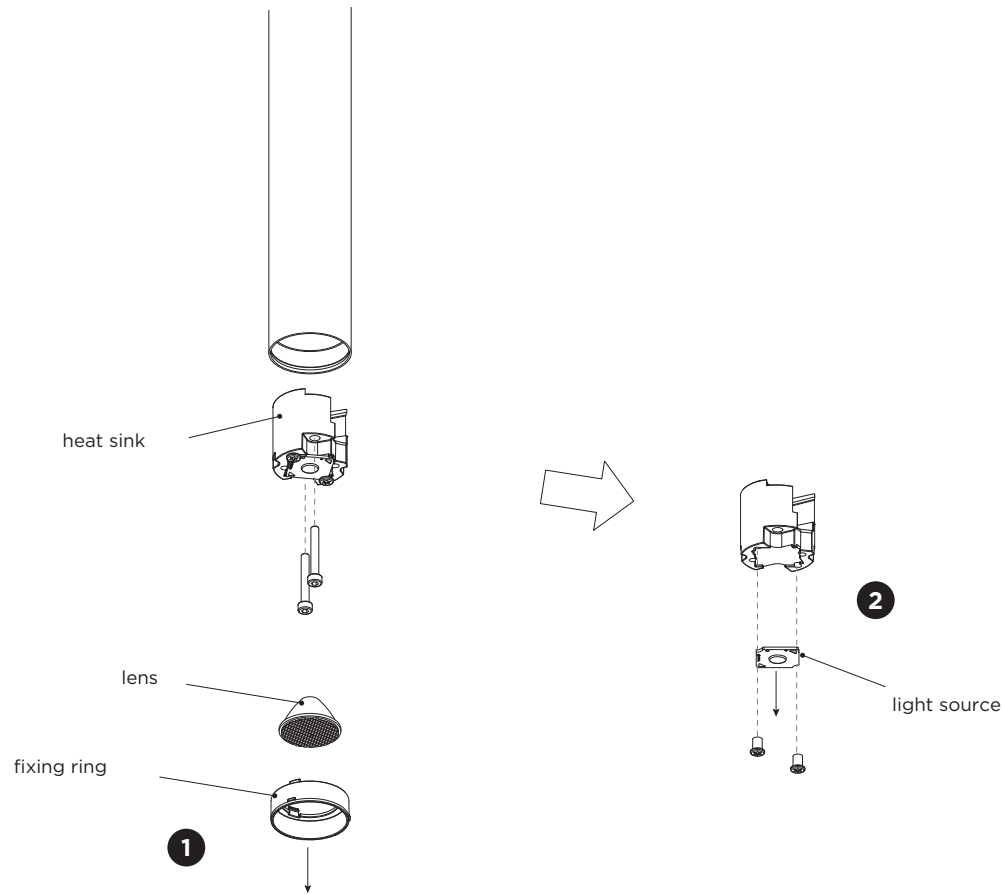
INSTALLATION INSTRUCTIONS | DECEMBER 2022

Shorten the cable with maximum 250mm:



STUBE on track

INSTALLATION INSTRUCTIONS | DECEMBER 2022



DISMOUNTING AND RECYCLING INSTRUCTIONS

Light source

- 1** Pull out the fixing ring, remove the lens and unscrew the heat sink.
- 2** Unscrew the screws on the heat sink, disconnect the wires and remove the light source.



The light source is replaceable by an authorized professional.
For advice contact your Wever & Ducré customer service contact point.



This luminaire contains a light source with the energy class D.